

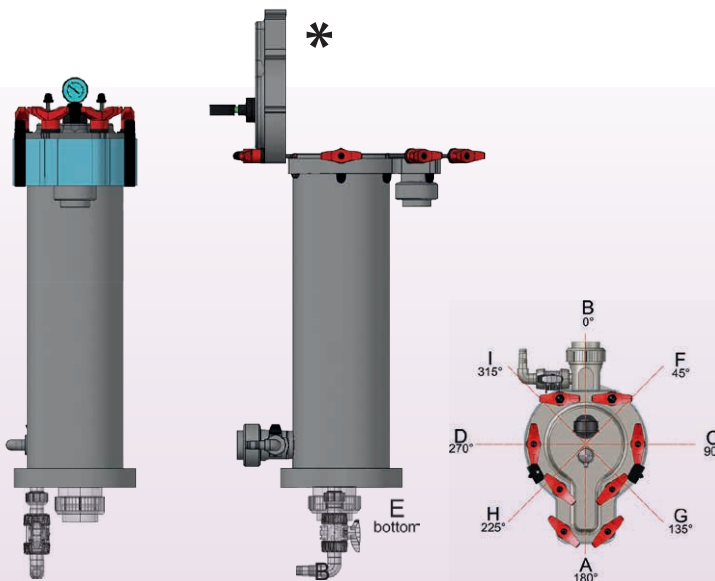


ADVANTAGES

- Rugged construction
- Inert at chemicals
- Interchangeability bag filters and cartridges High Flow CH

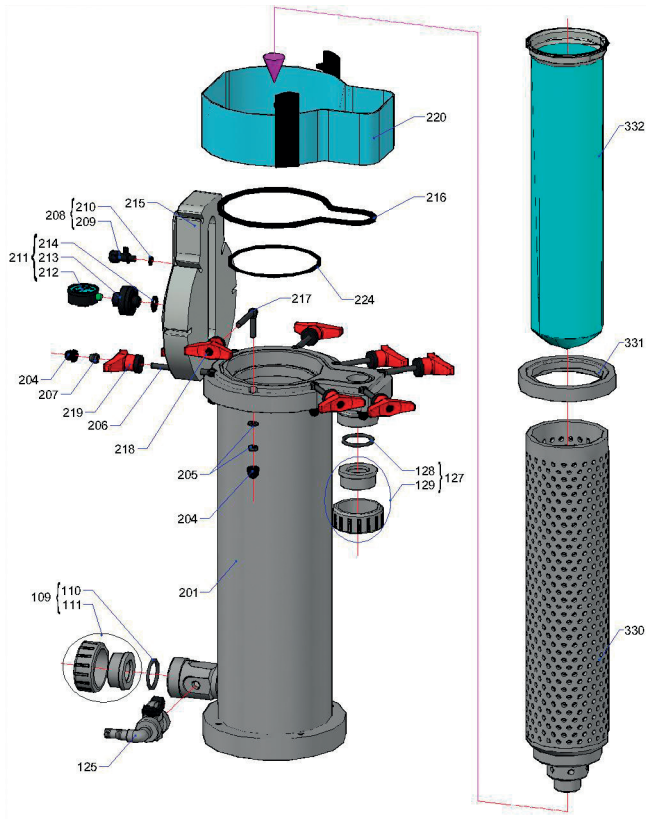
FEATURES

- PP solid monoblocc body
- PP and PVDF versions
- Swing bolts closure system with swing bolts
- Til lid
- Lid inlet
- Union connection
- SIZE 1-2-4 bags availability
- Tmax exercise PP 85°C-PVDF 100°C
- Pmax exercise: 6 Bar @ 20°C
- Pressure Gauge

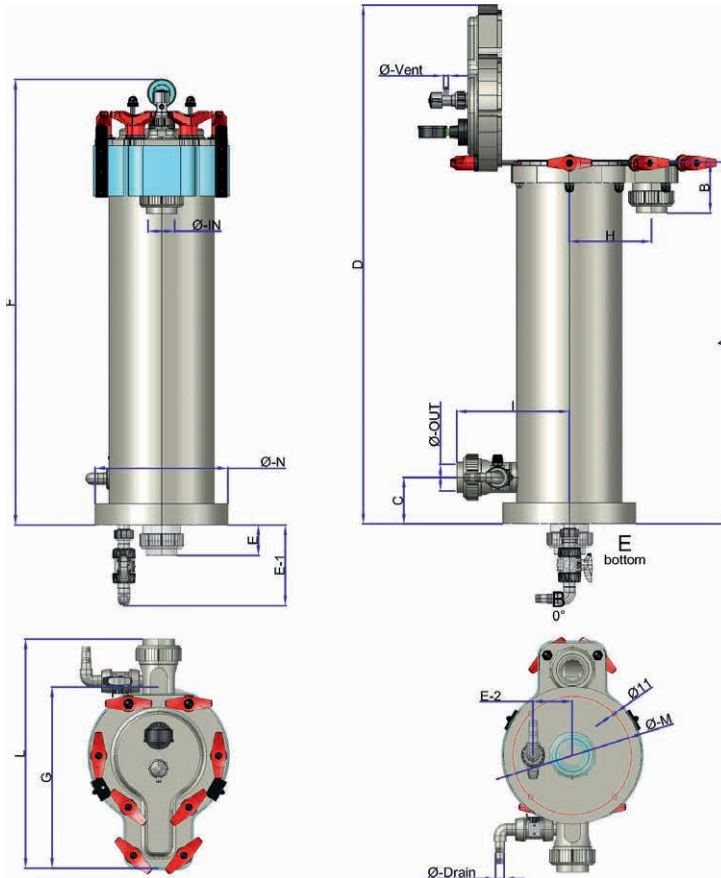


IDENTIFICATION CODE

SERIES	MATERIAL	VERSION	BAG	IN Position (related to the tilted)*	OUT Position (related to the tilted)*	IN/OUT Dimensions (mm)	CONNECTION TYPES	O-RINGS	OPTIONALS
FB	P = PP V = PVDF	T = Top	1 = Size 1 2 = Size 2 4 = Size 4	A = 180°	A = 180° B = 0° C = 90° D = 270° E = on the bottom F = 45° G = 135° H = 225° I = 315°	25 32 40 50 63 75 90	BC = Union with PVC socket BF = Union with PVDF socket BP = Union with PP socket	E = EPDM V = Viton T = FEP	D = Digitale Pressure Gauge I = Lid Interlock safety sensor P = Connection to measure housing pressure differential
FB	P	T	2	A	B	50	BP	V	D



DESCRIPTION			
109	Discharge assembly	211	Pressure gauge assembly
110	O-Ring	212	Pressure gauge
111	Discharge	213	Guard
125	Drain valve	214	O-Ring
127	Inlet filter-housing assembly	215	Lid
128	O-Ring	216	Lid gasket
129	Connecting fitting	217	Short swing bolts
201	Filter body	218	Knob close two lobes
204	PP nut cap	219	Knob open two lobes
205	Nut & washer	220	Splash proof lid ring
206	Long swing bolts	224	O-ring cantering ring
207	Blind nut	330	Basket filter bag
208	Vent valve assembly	331	Centering ring filter bag
209	Vent valve	332	Filter bag
210	O-Ring		



FILTER BAG FB - PT			
	Size 4	Size 1	Size 2
	25 B - 40 B	25 B - 63 B	25 B - 63 B
A	425	530	860
B	93	122	122
C	80	110	110
D	640	905	1235
E	53	72	72
E - 1	190	190	190
E - 2	65	90	90
F	640	785	1115
G	262	415	415
H	115	195	195
I	207	267	267
L	360	525	525
M - Ø	186	271	271
N - Ø	220	315	315
Drain - Ø	12	20	20
Vent - Ø	12	12	12

PVDF version: dimension could change. Require drawing at our technical office

LAFONTE.EU may modify data any time, without notice, in order to get product enhancement