

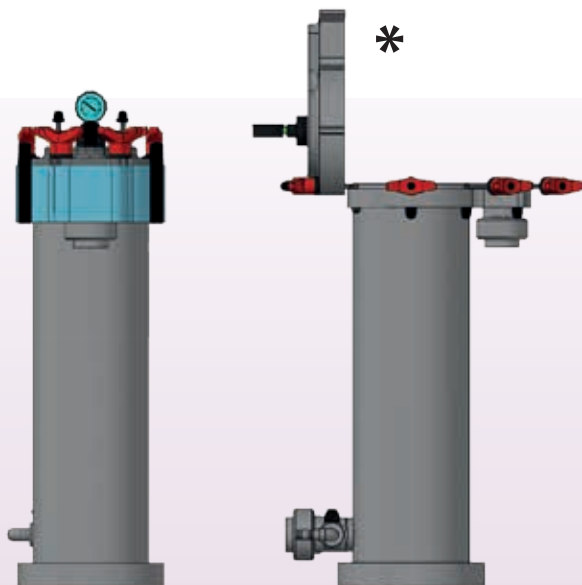


ADVANTAGES

- Rugged construction
- Inert at chemicals
- Interchangeability bag filters and cartridges High Flow CH

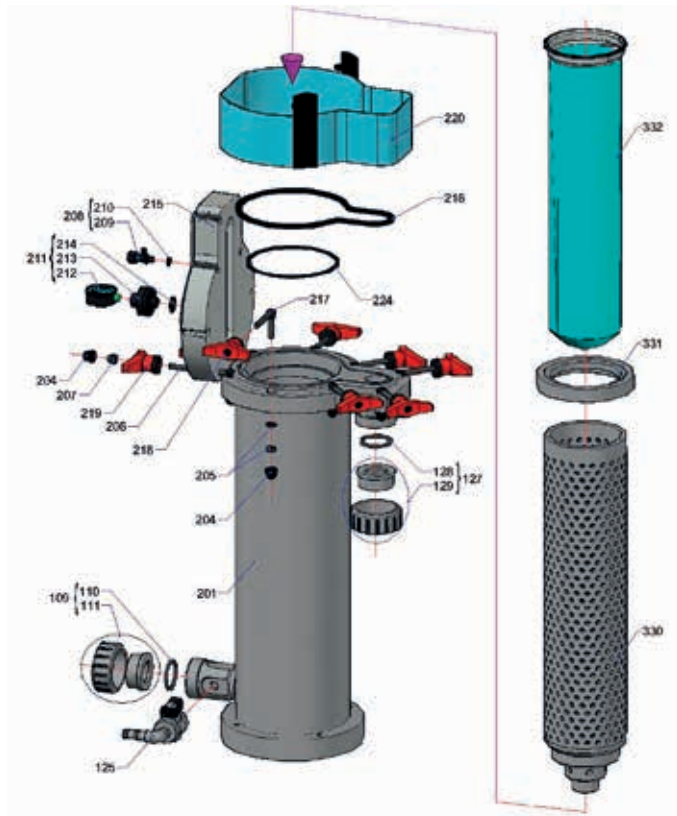
FEATURES

- PP solid monoblocc body
- PP and PVDF versions
- Swing bolts closure system with swing bolts
- Til lid
- Lid inlet
- Union connection
- SIZE 1-2-4 bags availability
- Tmax exercise PP 85°C-PVDF 100°C
- Pmax exercise: 6 Bar @ 20°C
- Pressure Gauge



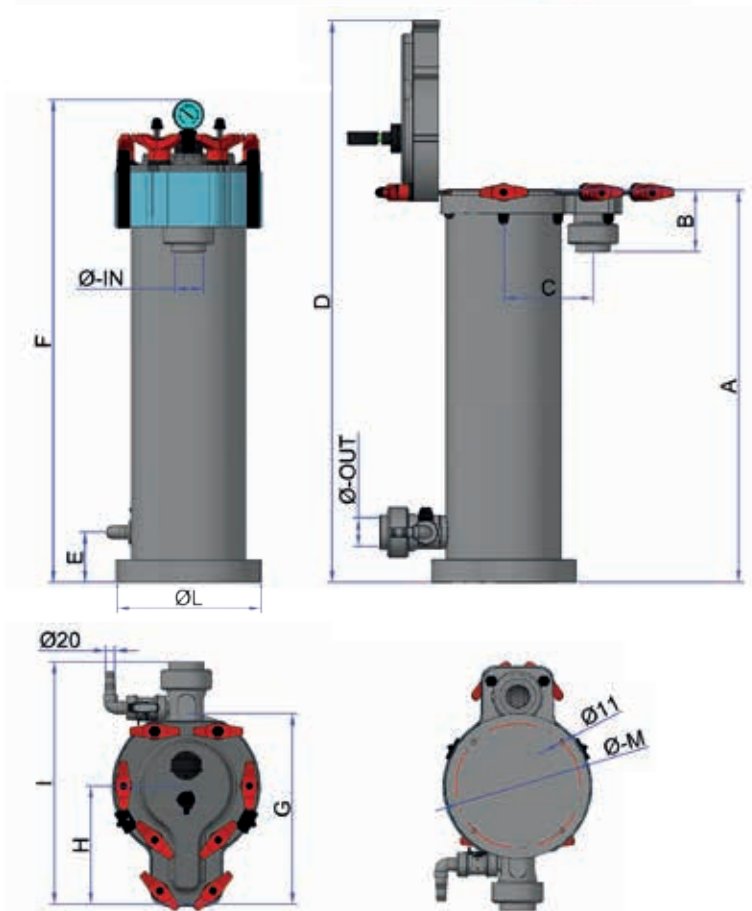
IDENTIFICATION CODE

SERIES	HOUSING MATERIAL	VERSION	BAG SIZE	IN Position (respect lid opening side)*	OUT Position (respect lid opening side)*	IN/OUT Dimensions OD mm	CONNECTION TYPE	O-Rings	OPTIONALS
FB	P = PP V = PVDF	T = Top S = Side	1 = Size 1 2 = Size 2 4 = Size 4	A = 180° B = 0° C = 90° D = 270°	A = 180° B = 0° C = 90° D = 270° E = Bottom outlet	25 32 40 50 63 75 90	BC = Union with PVC socket BF = Union with PVDF socket BP = Union with PP socket FA = ANSI Flanges FI = ISO Flanges FJ = JIS Flanges	E = EPDM V = Viton T = FEP	D = Digitale Pressure Gauge I = Lid Interlock safety sensor P = Connection to measure housing pressure differential



DESCRIPTION

109	Discharge assembly	211	Pressure gauge assembly
110	O-Ring	212	Pressure gauge
111	Discharge	213	Guard
125	Drain valve	214	O-Ring
127	Inlet filter-housing assembly	215	Lid
128	O-Ring	216	Lid gasket
129	Connecting fitting	217	Short swing bolts
201	Filter body	218	Knob close two lobes
204	PP nut cap	219	Knob open two lobes
205	Nut & washer	220	Splash proof lid ring
206	Long swing bolts	224	O-ring cantering ring
207	Blind nut	330	Basket filter bag
208	Vent valve assembly	331	Centering ring filter bag
209	Vent valve	332	Filter bag
210	O-Ring		



BAG FILTER HOUSING

Type	1040	1840 H	1880 H
A	415	530	860
B	83	136	136
C	115	195	195
D	630	917	1231
E	70	110	110
F	570	730	1060
G	262	415	415
H	152	257	257
I	360	530	530
Ø L	220	315	315
Ø M	186	271	271
Ø IN	25-32	50-63	50-63
Ø OUT	25-32	50-63	50-63

PVDF version: dimension could change. Require drawing at our technical office

LAFONTE.EU may modify data any time, without notice, in order to get product enhancement