



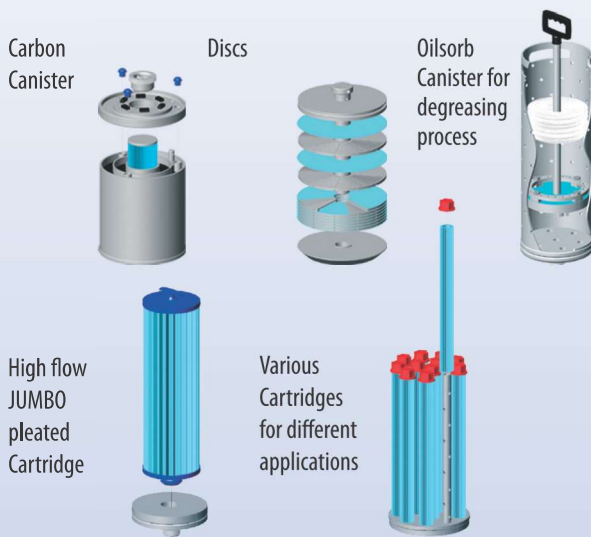
ADVANTAGES

- Ease of operation
- Long life
- Ability to Interchange with several different filtration systems in the same housing
- Ability to change between EVOLUTE magnetic drive and mechanical seal pump
- Three years warranty on filter housing

FEATURES

- Polypropylene machine solid monobloc filter housing
- Tilt lid with swing bolts closure system
- Magnetic drive or mechanical seal pump
- Solid Polypropylene base with discharge pipes and brackets on three side of the base
- Discs version, filter papers: D130/32 mm
- Filter housing improved distribution flow
- Tmax exercise 70°C with 3 Bar pressure

FILTRATION TYPE

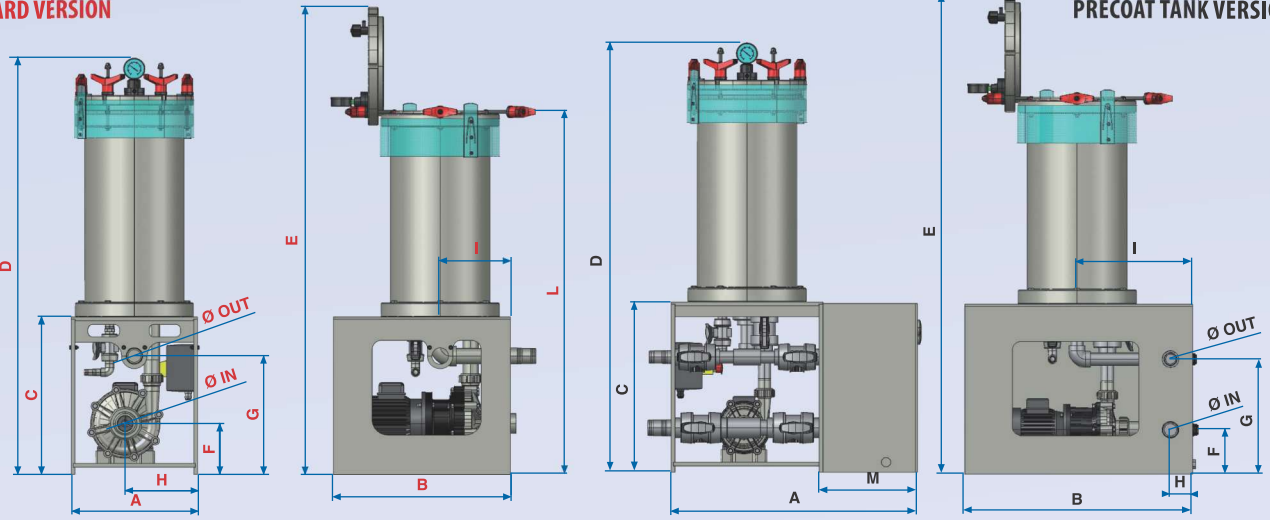


Series	Filter Chamber					Filter Element		Pump			OPTIONAL		
	Discs Dxn° (m²/l)*	Cartridges n° x l"	JUMBO DxH" (m²)	Oilsorb (l)	Carbon (l)	Discs	Cartridges	Magnetic Drive	Mechanical Seal	Material			
MIX	3D1 150x32 (0,55/2)	3C1 3x10	3J1 150x10 (1,5)			_ = carta P = Meraklon T = PTFE	_ = DOE D63 M = DOE with spring closure system P = DOE D 70 A = SOE 222 B = SOE 226	EVT7		_ = PP F = PVDF	A = Suction Valve M = Discharge B = By pass pump/filter C = Carbon treatment valves group G = Pressure Gauge V = Valve between pump and filter W = Wheels I = Interlock sensor placed on splashproof lid ring		
	3D2 150x62 (1,1/4)	3C2 3x20	3J2 150x20 (3,0)	3O2 (5)	3A2 (5)							EVT7 EVT12	EVM8 EVM12
		3C3 3x30	3J3 150x30 (3,0)									EVT7 EVT12	EVM8 EVM12
MIX	3C2							EVM12		F	GR		

* m² = Surface area / l = Sediment Volume

STANDARD VERSION

PRECOAT TANK VERSION



SERIES	HOUSING	PUMP	OVERALL DIMENSION												
			D in	D out	A	B	C	D	E	F	G	H	I	L	M
MIX	3D1 3C1 3J1	EVT7	32	32	295 570	400 480	350 410	800 860	840 900	112 117	245 300	141 65	135 220	730 790	200
	3D2 3C2 3J2 3O2 3A2	EVT7	32	32	295 570	400 480	350 410	1055 1115	1095 1155	112 117	245 300	141 65	135 220	985 1045	200
		EVM8	40 50	32 40	295 670	440 570	400 465	1200 1265	1240 1305	140 145	300 355	166 90	135 272	1035 1100	
		EVT12 EVM12 EVT15 EVM15	50	40											
		3C3 3J3	EVT7	32	32	295 570	400 480	350 410	1315 1380	1355 1420	112 117	245 300	141 65	135 220	
	EVM8		40 50	32 40	295 670	440 570	400 465	1460 1525	1500 1565	140 145	300 355	166 90	135 272	1295 1360	
	EVT12 EVM12 EVT15 EVM15		50	40											
	EVT20 EVM20				295	500	440	1500	1540	140	300	176	162	1335	

50 Hz

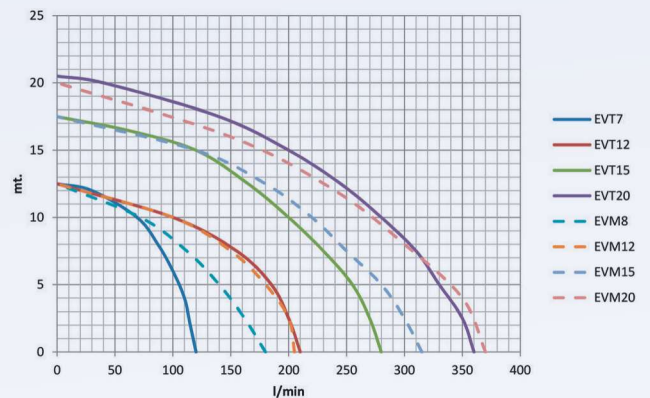
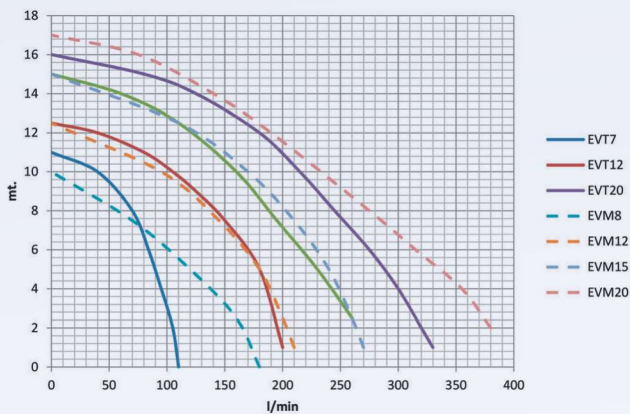
60 Hz

Rpm 2800	EVT7	EVM8	EVT12 EVM12	EVT15 EVM15	EVT20 EVM20
KW	0,25	0,37	0,55	0,7	1,1
A* 230/400V	1,2/0,7	1,8/1,0	2,3/1,25	3,13/1,7	4,9/2,5

Rpm 3450	EVT7 EVM8	EVT12 EVM12	EVT15 EVM15	EVT20 EVM20
KW	0,37	0,55	0,7	1,1
A* 220/380V	2,6/1,5	2,9/1,7	3,9/2,2	6,0/3,5

* Values could change according with type of used motor

* Values could change according with type of used motor





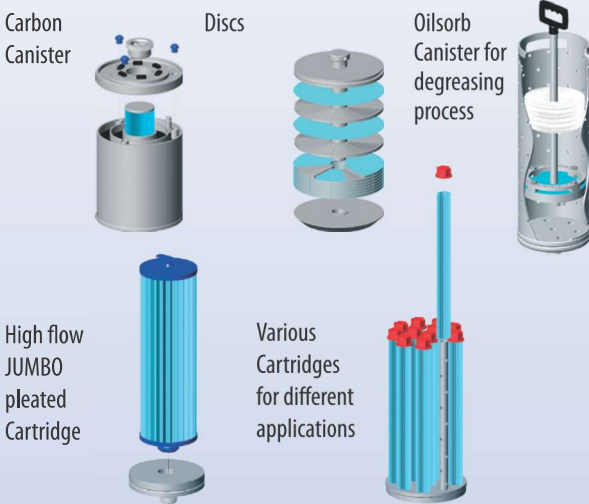
ADVANTAGES

- Ease of operation
- Long life
- Ability to Interchange with several different filtration systems in the same housing
- Ability to change between EVOLUTE magnetic drive and mechanical seal pump
- Three years warranty on filter housing

FEATURES

- Polypropylene machine solid monobloc filter housing
- Tilt lid with swing bolts closure system
- Magnetic drive or mechanical seal pump
- Solid Polypropylene base with discharge pipes and brackets on three side of the base
- Pre coat tank version
- Discs version, filter papers: D205/32 mm
- Filter housing improved distribution flow
- Tmax exercise 70°C with 3 Bar pressure

FILTRATION TYPE

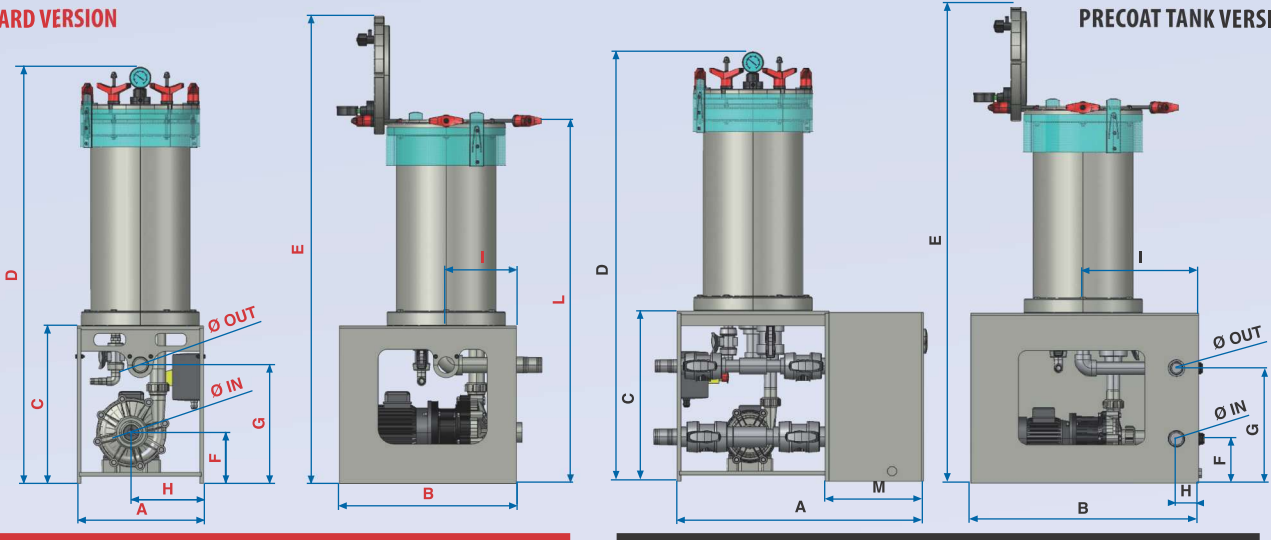


Series	Filter Chamber					Filter Element		Pump			OPTIONALS
	Discs Dxn° (m²/l)*	Cartridges n° x l"	JUMBO DxH" (m²)	Oilsorb (l)	Carbon (l)	Discs	Cartridges	Magnetic Drive	Mechanical Seal	Material	
MIX	7D1 200x35 (1/4,3)	7C1 7x10	7J1 200x10 (2,5)				— = DOE D63 M = DOE with spring closure system P = DOE D 70 A = SOE 222 B = SOE 226	EVT7	EVM8	— = PP F = PVDF	A = Suction Valve M = Discharge B = By pass pump/filter C = Carbon treatment valves group G = Pressure Gauge V = Valve between pump and filter T = Prea coat tank W = Wheels I = Interlock sensor placed on splashproof lid ring
	7D2 200x66 (2/8,6)	7C2 7x20	7J2 200x20 (5)	7O2 (15)	7A2 (15)	— = carta P = Meraklon T = PTFE	EVT7 EVT12 EVT15	EVM8 EVM12 EVM15			
		7C3 7x30					EVT 12 EVT 15 EVT20	EVM12 EVM15 EVM20			
MIX	7D1					P		EVT7			GTR

* m² = Surface area / l = Sediment Volume

STANDARD VERSION

PRECOAT TANK VERSION



SERIES	HOUSING	PUMP	OVERALL DIMENSION														
			D in	D out	A	B	C	D	E	F	G	H	I	L	M		
MIX	7D1 7C1 7J1	EVT7	32	32	340 650	440 500	350 420	920 990	1020 1090	117	245 300	134 65	170 240	750 840	250		
		EVM8	40 50	40	395 720	560 600	420	990	1090	145	295	198 90	192 290	840			
	7D2 7C2 7J2 7O2 7A2	EVT7	32	32	340 650	440 500	350 420	1175 1245	1275 1345	117	245 300	134 65	170 301	1005 1095	250		
		EVM8	40 50	40 40	395 720	560 600	420 500	1245 1325	1345 1425	145	295 355	179 90	192 290	1095 1175			
		EVT12 EVM12 EVT15 EVM15	50	40												192 290	1355 1435
		EVT20 EVM20	50	50													
	7C3	EVT12 EVM12 EVT15 EVM15	50	40	395 720	560 600	420 500	1505 1585	1605 1685	145	295 355	179 90	192 290	1355 1435	250		
		EVT20 EVM20	50	50	395	560	460	1545	1645	162	335	198	1395				
		EVT25 EVM30	63	63													

50 Hz

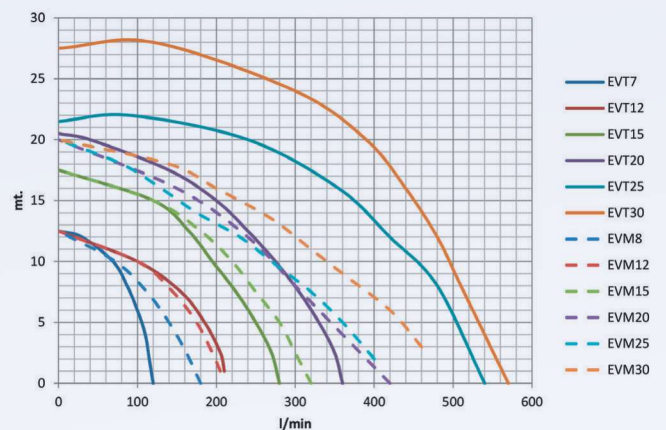
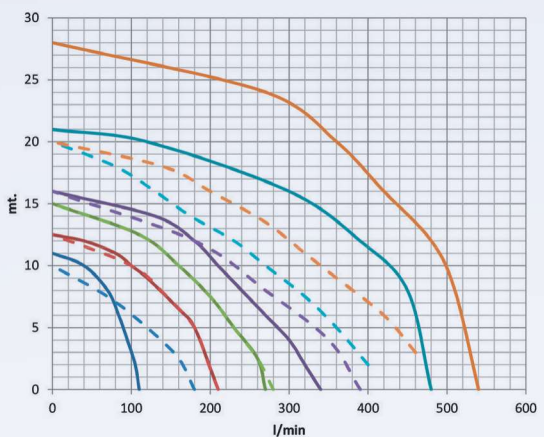
60 Hz

Rpm 2800	EVT7	EVM8	EVT12 EVM12	EVT15 EVM15	EVT20 EVM20	EVT25 EVM25	EVT30 EVM30
KW	0,25	0,37	0,55	0,7	1,1	1,5	2,2
A* 230/400V	1,2/0,7	1,8/1,0	2,3/1,25	3,13/1,7	4,9/2,5	6,5/3,8	8,7/5,0

Rpm 3450	EVT7 EVM8	EVT12 EVM12	EVT15 EVM15	EVT20 EVM20	EVT25 EVM25	EVT30 EVM30
KW	0,37	0,55	0,7	1,1	1,5	2,2
A* 220/380V	2,6/1,5	2,9/1,7	3,9/2,2	6,0/3,5	8,0/4,6	10,2/6,0

* Values could change according with type of used motor

* Values could change according with type of used motor





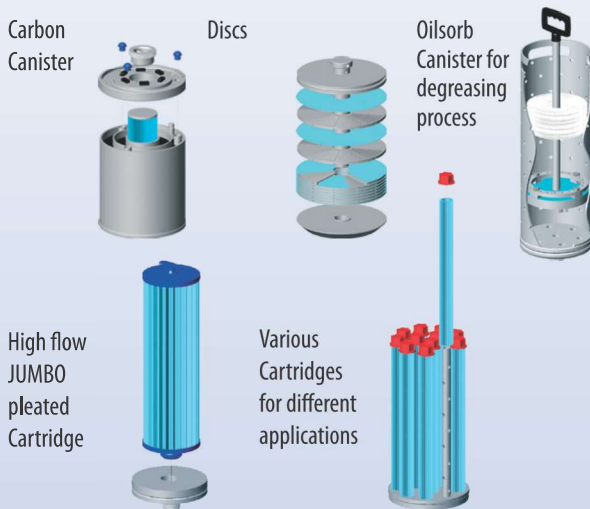
ADVANTAGES

- Ease of operation
- Long life
- Ability to Interchange with several different filtration systems in the same housing
- Ability to change between EVOLUTE magnetic drive and mechanical seal pump
- Three years warranty on filter housing

FEATURES

- Polypropylene machine solid monobloc filter housing
- Tilt lid with swing bolts closure system
- Magnetic drive or mechanical seal pump
- Solid Polypropylene base with discharge pipes and brackets on three side of the base
- Pre coat tank version
- Discs version, filter papers: D256/50 mm
- Filter housing improved distribution flow
- Tmax exercise 70°C with 3 Bar pressure

FILTRATION TYPE

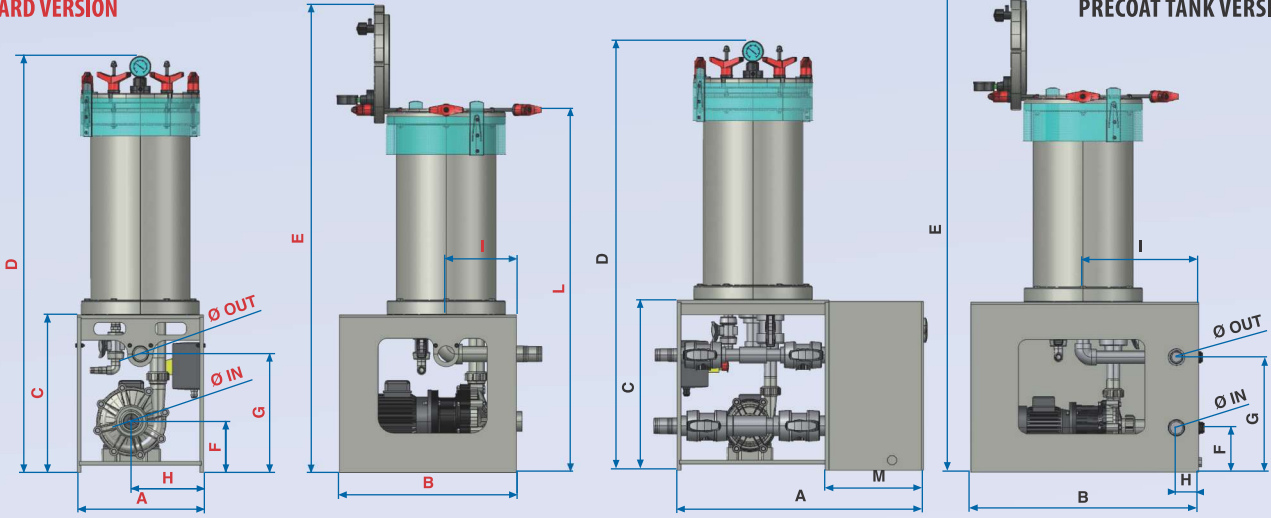


Series	Filter Chamber					Filter Element		Pump			OPTIONAL
	Discs Dxn° (m²/l)*	Cartridges n° x l"	JUMBO DxH" (m²)	Oilsorb (l)	Carbon (l)	Discs	Cartridges	Magnetic Drive	Mechanical Seal	Material	
MIX	12D1 250x33 (1,5/7,2)	12C1 12x10	12J1 250x10 (4)				— = DOE D63 M = DOE with spring closure system P = DOE D 70 A = SOE 222 B = SOE 226	EVT7 EVT12	EVM8 EVM12		A = Suction Valve M = Discharge B = By pass pump/filter C = Carbon treatment valves group G = Pressure Guage V = Valve between pump and filter T = Prea coat tank W = Wheels I = Interlock sensor placed on splashproof lid ring
	12D2 250x66 (3/14,4)	12C2 12x20	12J2 250x20 (8)	12 O2 (20)	12A2 (20)	— = carta P = Meraklon T = PTFE	EVT12 EVT15 EVT20	EVM12 EVM15 EVM20	— = PP F = PVDF		
	12D3 250x100 (4,5/21,6)	12C3 12x30					EVT15 EVT20 EVT25	EVM15 EVM20			
MIX		12 O2						EVM15			GR

* m² = Surface area / l = Sediment Volume

STANDARD VERSION

PRECOAT TANK VERSION



SERIES	HOUSING	PUMP	OVERALL DIMENSION												
			D in	D out	A	B	C	D	E	F	G	H	I	L	M
MIX	12D1 12C1 12P1	EVT7	32	32	395 720	500 560	350 420	895 965	1060 1130	117	290 300	158 65	207 270	785 805	300
		EVM8	40 50	40 50	395 770	560 680	450 500	995 1045	1290 1340	145	315 355	173 90	220 325	835 885	
		EVT12 EVM12	50	50											
	12D2 12C2 12P2 12O2 12A2	EVT12 EVM12	50	40	395 770	560 680	450 500	1250 1300	1545 1595	145	315 355	173 90	220 325	1090 1140	300
		EVT15 EVM15													
		EVT20 EVM20	50	50											
	12D3 12C3	EVT15 EVM15	50	40	395 770	560 680	450 500	1570 1620	1710 1770	145	375 365	173 70	220 325	1380 1430	300
		EVT20 EVM20													
		EVT25 EVT30	63	63	395 860	590 750	500 570	1620 1690	1760 1830	162	365	198 90	1430 1500		

50 Hz

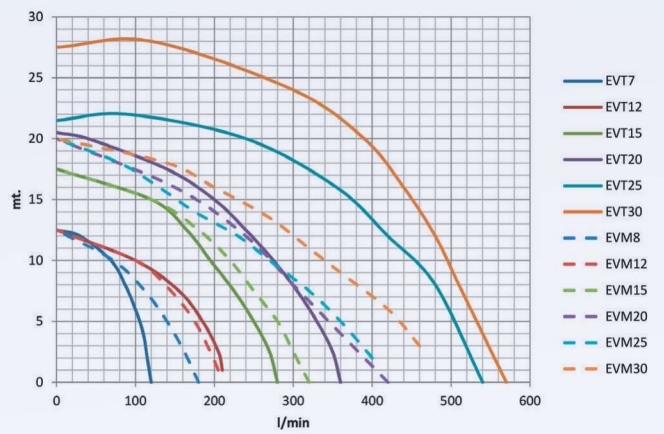
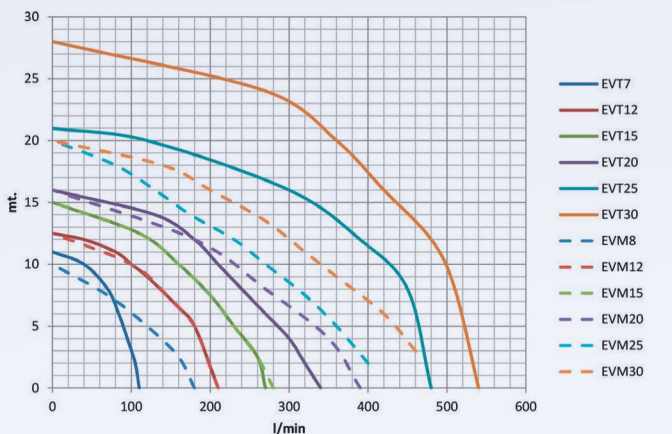
60 Hz

Rpm 2800	EVT7	EVM8	EVT12 EVM12	EVT15 EVM15	EVT20 EVM20	EVT25 EVM25	EVT30 EVM30
KW	0,25	0,37	0,55	0,7	1,1	1,5	2,2
A* 230/400V	1,2/0,7	1,8/1,0	2,3/1,25	3,13/1,7	4,9/2,5	6,5/3,8	8,7/5,0

Rpm 3450	EVT7 EVM8	EVT12 EVM12	EVT15 EVM15	EVT20 EVM20	EVT25	EVT30
KW	0,37	0,55	0,7	1,1	1,5	2,2
A* 220/380V	2,6/1,5	2,9/1,7	3,9/2,2	6,0/3,5	8,0/4,6	10,2/6,0

* Values could change according with type of used motor

* Values could change according with type of used motor





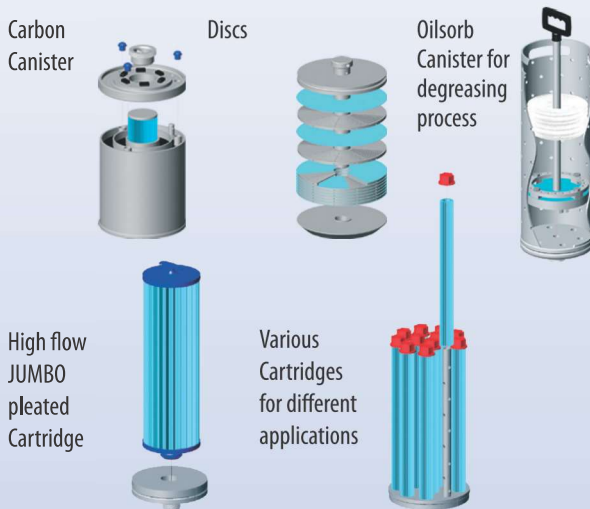
ADVANTAGES

- Ease of operation
- Long life
- Ability to Interchange with several different filtration systems in the same housing
- Ability to change between EVOLUTE magnetic drive and mechanical seal pump
- Three years warranty on filter housing

FEATURES

- Polypropylene machine solid monobloc filter housing
- Tilt lid with swing bolts closure system
- Magnetic drive or mechanical seal pump
- Solid Polypropylene base with discharge pipes and brackets on three side of the base
- Pre coat tank version
- Discs version, filter papers: D295/50 mm
- Filter housing improved distribution flow
- Tmax exercise 70°C with 3 Bar pressure

FILTRATION TYPE

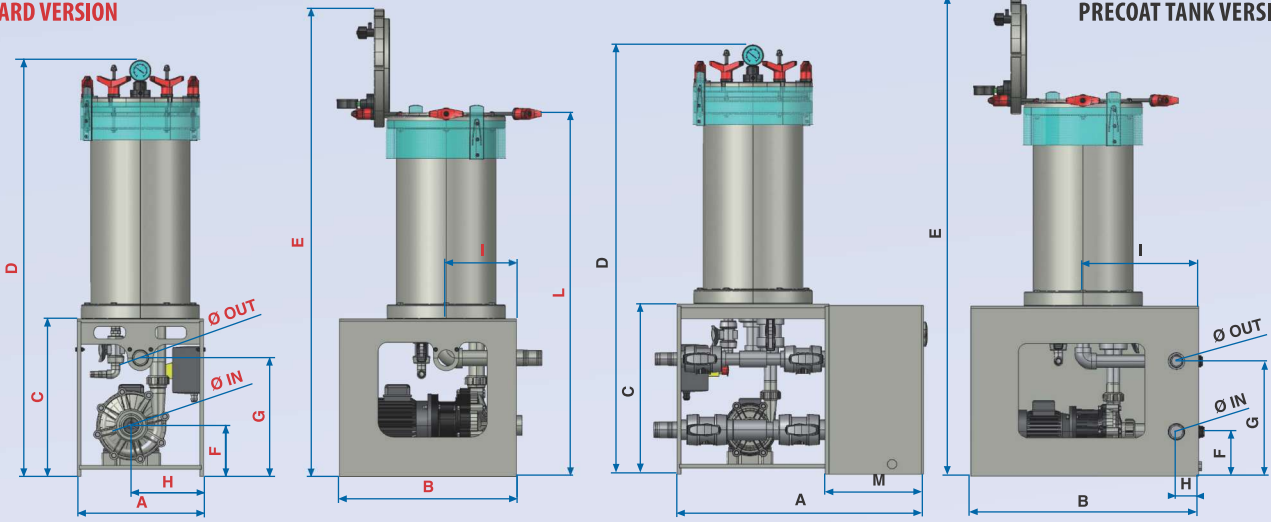


Series	Filter Chamber					Filter Element		Pump			OPTIONAL
	Discs Dxn° (m²/l)*	Cartridges n° x l"	JUMBO DxH" (m²)	Oilsorb (l)	Carbon (l)	Discs	Cartridges	Magnetic Drive	Mechanical Seal	Material	
MIX	15D1 290x33 (2,2/9,5)	15C1 15x10				_ = carta P = Meraklon T = PTFE	_ = DOE D63 M = DOE with spring closure system P = DOE D 70 A = SOE 222 B = SOE 226	EVT7 EVT12 EVT15	EVM8 EVM12 EVT15	_ = PP F = PVDF	A = Suction Valve M = Discharge B = By pass pump/filter C = Carbon treatment valves group G = Pressure Guage V = Valve between pump and filter T = Prea coat tank W = Wheels I = Interlock sensor placed on splashproof lid ring
	15D2 290x66 (4,4/19)	15C2 15x20		15O3 (30)	15A3 (30)			EVT15 EVT20 EVT25	EVM15 EVM20		
	15D3 290x100 (6,6/28,5)	15C3 15x30						EVT20 EVT25 EVT30	EVM20		
MIX	15D2							EVT25		M	AMGR

* m² = Surface area / l = Sediment Volume

STANDARD VERSION

PRECOAT TANK VERSION



SERIES	HOUSING	PUMP	OVERALL DIMENSION													
			D in	D out	A	B	C	D	E	F	G	H	I	L	M	
MIX	15D1 15C1	EVT7	32	32	450 780	560 595	350 420	920 990	1125 1195	117	290 300	170 65	240 285	795 815	330	
		EVM8 EVT12 EVM12 EVT15 EVM15	50	40	450 810	590 720	450 500	1120 1170	1225 1275	145	320 355	185 90	250 337,5	465 915		
		EVT15 EVM15	50	40	450	590	450	1375	1480	145	320	185	250	1120		330
		EVT20 EVM20		50	450	590	450	1425	1530	145	355	90	337,5	1170		
		15D2 15C2 15O2 15A2	EVT25	63	63	450 890	650 780	500 660	1375 1535	1480 1640	162 247	360 450	204 100	275 387		1170 1330
	EVT20 EVM20	50	50	450 810	590 720	450 500	1635 1685	1740 1790	145	320 355	185 90	250 337,5	1430 1480			
	15D3 15C3	EVT25 EVT30	63	63	450 890	650 780	500 660	1685 1795	1790 2050	162 247	360 450	204 100	275 387	1480 1640	330	
	EVT20 EVM20	50	50	450 810	590 720	450 500	1635 1685	1740 1790	145	320 355	185 90	250 337,5	1430 1480			

50 Hz

60 Hz

Rpm 2800	EVT7	EVM8	EVT12 EVM12	EVT15 EVM15	EVT20 EVM20	EVT25 EVM25	EVT30 EVM30
KW	0,25	0,37	0,55	0,7	1,1	1,5	2,2
A* 230/400V	1,2/0,7	1,8/1,0	2,3/1,25	3,13/1,7	4,9/2,5	6,5/3,8	8,7/5,0

Rpm 3450	EVT7 EVM8	EVT12 EVM12	EVT15 EVM15	EVT20 EVM20	EVT25 EVM25	EVT30 EVM30
KW	0,37	0,55	0,7	1,1	1,5	2,2
A* 220/380V	2,6/1,5	2,9/1,7	3,9/2,2	6,0/3,5	8,0/4,6	10,2/6,0

* Values could change according with type of used motor

* Values could change according with type of used motor

