



ADVANTAGES

- Excellent Chemical Resistance
- Robust Construction
- Solid Material without any Chemical Additive.

FEATURES

- Body materials: PP - PVDF - PVC
- Tmax = PP 70°C - PVDF 90°C - PVC 55°C
- Connection: Threaded (Standard) - Socket Union (Optional)
- Pump Depth 400 - 2.000 mm
- Bushing Couple Wide range of combinations (see table)
- Open impeller
- Customizable Support Flange Dimensions

APPLICATIONS

- Industry: Chemical, Electro plating, PCB board
- Acid and Alkaline solutions with the presence of solid particles in suspension
- Waste Water Treatment

SPECIFICATIONS

	Maximum capacity (l/m)	Total head (m)	Motor (kw)	T max exercise °C
50 Hz	800 ÷ 1350	28 ÷ 32	5,5 ÷ 15	55 PVC 90 PVDF* 70 PP
60 Hz	800 ÷ 1350	28 ÷ 32	5,5 ÷ 15	

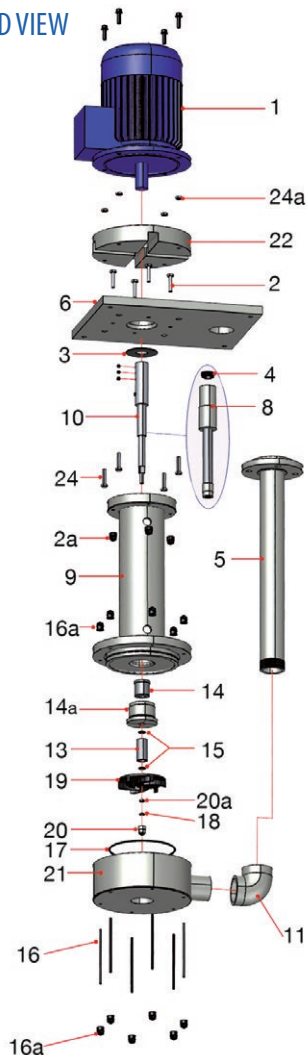
*It may change according to supplied motor and pump depth



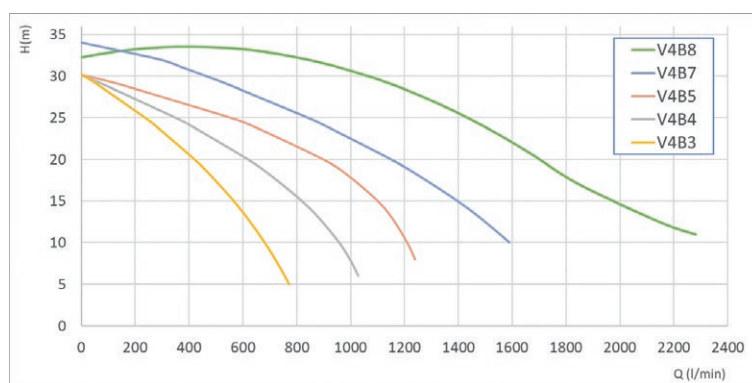
PUMP IDENTIFICATION

Model	Pump body	Shaft	Bushing couple static/rotating	DEPTH mm	Connection	Optional
V4B3 V4B4 V4B5 V4B7 V4B8	P = PP C = PVC V = PVDF	X = INOX AISI316 T = Titanium H = Hastelloy	1 = PTFE / PTFE 2 = PTFE / Carbon 3 = Carbon / Ceramic 4 = PTFE / Ceramic 5 = Carbon / Carbon 6 = Carbon/PTFE 8 = PTFE/Silicon	04 = 400 06 = 600 08 = 800 10 = 1000 12 = 1200 14 = 1400 16 = 1600 18 = 1800 20 = 2000	T = Threaded (Standard) B = Socket Union (Optional) F = Flanged (Optional)	S = Stainer C = Additional Bushing Couple G = Flexible Coupling
V4B3	C	T	1	06	T	S

EXPLODED VIEW

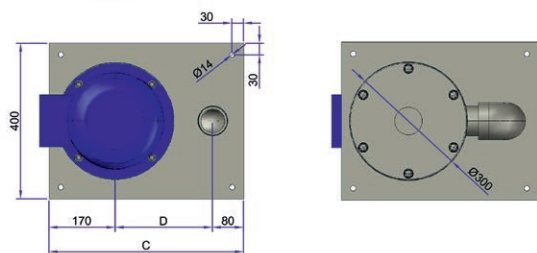
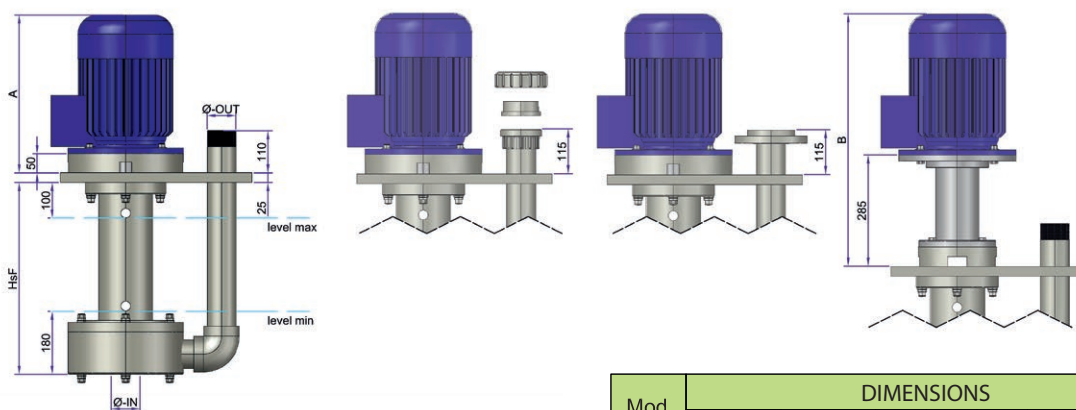


Part. description			
1	Motor	14A	Static bush housing
2	Column screws	15	Bush O-ring
2A	Column nut	16	Pump housing screw
3	Baffle	16A	Pump housing nut
4	Seal ring	17	Pump housing O-ring
5	Discharge pipe	18	Ogive O-ring
6	Support flange	19	Impeller
8	Shaft sleeve	20	Ogive
9	Pump column	20A	Ogive nut
10	Shaft	21	Pump housing
11	Elbow	22	Vapour seal housing
13	Rotating bush	24	Vapour seal Screw
14	Static bushing	24A	Vapour seal nut



Curve references: water at room temperature

DIMENSIONS



Mod.	DIMENSIONS						MOTOR			
	Ø-IN	Ø-OUT	A	B	C	D	LsF	Kw	HP	rpm
V4B3	DN65 2"1/2	DN50 2"	412	647	500	250	≤ 400 400÷600 600÷1000 1000÷1500 1500÷2000	5.5	7.5	2800
V4B4	DN80 3"	DN65 2"1/2						7.5	10	2800
V4B5	DN100 3"1/2	DN80 3"	9.2	12.5				2800		
V4B7	DN100 4"	DN100 3"1/2	11	15				2800		
V4B8	DN100 4"	DN100 3"1/2	15	20				2800		

LAFONTE.EU may modify data any time, without notice, in order to provide product enhancement