



# UNDER SINK

## DESCRIPTION

These filtering system are used under the sinks in the jewellery industry, to recover small parts of precious metals through filters that can have a filtering degree as small as 1 absolute micron.

## ADVANTAGES

- Quick payback time
- Recovery of up to 99% of the metal in solution
- Easy to use
- Minimal maintenance

## SPECIFICATIONS

- Made in PP, which guarantees high mechanical and chemical resistance to both acid and alkaline solutions
- Suitable for water at hand washing stations

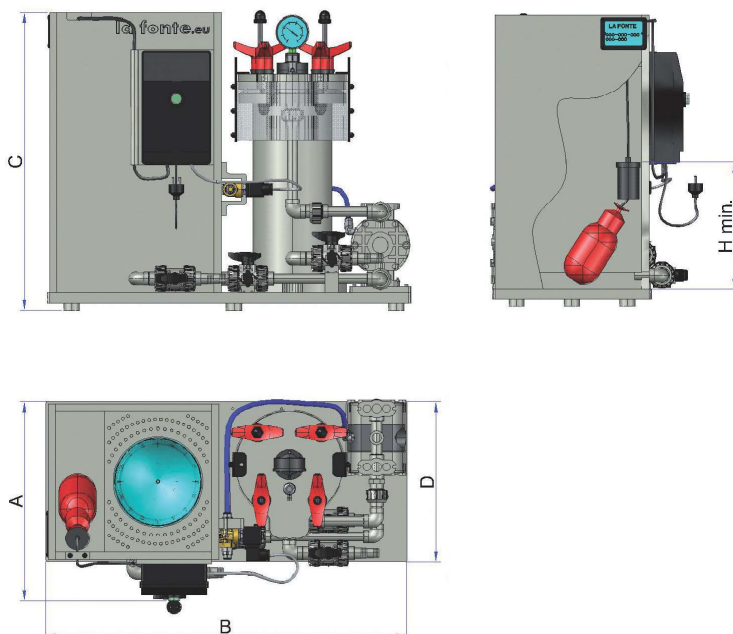
## TYPES OF FILTRATION

Bags:

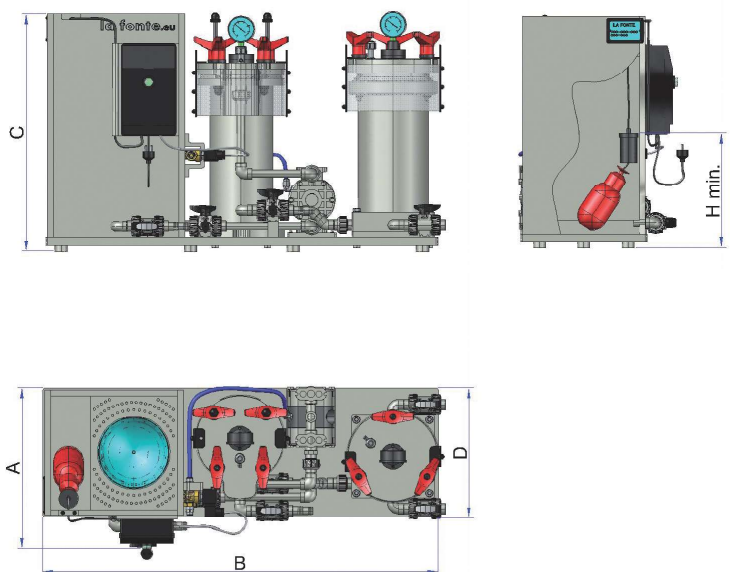


MODEL	Capacity (l/h)	H max	FILTERS		
US-MCBPMTTPD	1.800	4	Ø 180x400	Ø 110x400	
US-MCBPMTTPD / 3C1 / 3D1	1.800	4	Ø 180x400	Ø 110x400	Ø 150x35
US-CM1-3	1.800	4	Ø 180x400	Ø 110x400	
US-CM1-3 / 3C1 / 3D1	1.800	4	Ø 180x400	Ø 110x400	Ø 150x35

**US-MCB 3C1 / US-MCB 3D1 / USCM 1-3 3C1 / USCM 1-3 3D1**



**US-MCB /USCM 1-3**



**Under-Sink Filter Dimensions**

MODEL	A	B	C	D	H min.
US-MCB	410 mm	740 mm	605 mm	330 mm	280 mm
US-CM 1-3					
US-MCB 3C1	410 mm	1000 mm	605 mm	330 mm	280 mm
US-MCB 3D1					
US-CM 1-3 3C1					
US-CM 1-3 3D1					