



### ADVANTAGES

- Avoids solids inside pump
- Protects and increases pump life
- Easy maintenance and cleaning
- Captures little iron particles when provided with an internal magnet

### FEATURES

- PP made
- PP or PVC ends
- Acid and Alkaline proof
- IN/OUT: DN40-DN65
- Volume from 3,9 l to 7,5 l
- Inside Ferrite or Neodymium magnets in order to capture possible iron particles (optional)

### APPLICATIONS

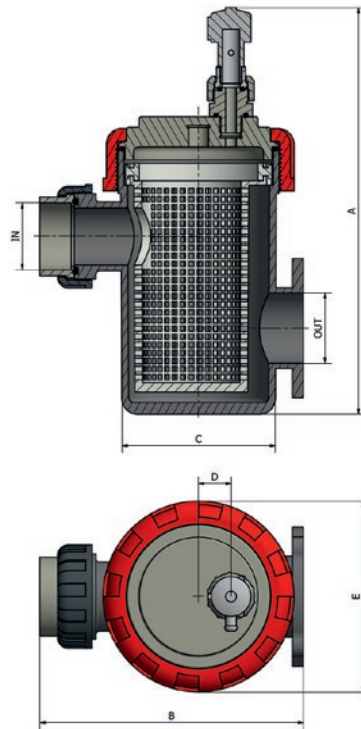
- Installable on all our pumps
- Suggested for baths with metallic and non-metallic particles



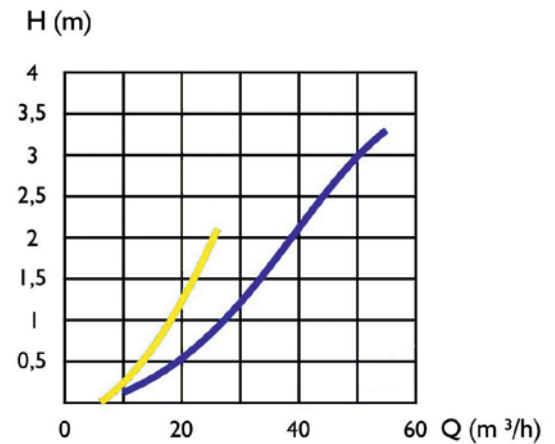
PSB BASKET STRAINER							
IDENTIFICATION CODE							
Series	Type	Body	Folders	O-Rings	D Attacks	Version	Magnet n° x type
PSB	39	P=PP	P=PP	E=EPDM	50 63	S=Standard M=Magneti	00=no magnet 1F=1 Ferrite 3F=Ferrite 1N=1 Neodymium 3N=3 Neodymium
	75		C=PVC	V=VITON	50 63 75		
<b>PSB</b>	<b>39</b>	<b>P</b>	<b>P</b>	<b>E</b>	<b>50</b>	<b>M</b>	<b>1N</b>

## DIMENSIONS

(mm)	PSB39	PSB75
<b>A</b>	377	401
<b>B</b>	244	294
<b>C</b>	142	173
<b>D</b>	30	42,5
<b>E</b>	177	203
<b>IN Ø</b>	50/63	50/63/75
<b>OUT Ø</b>	50/63	50/63/75

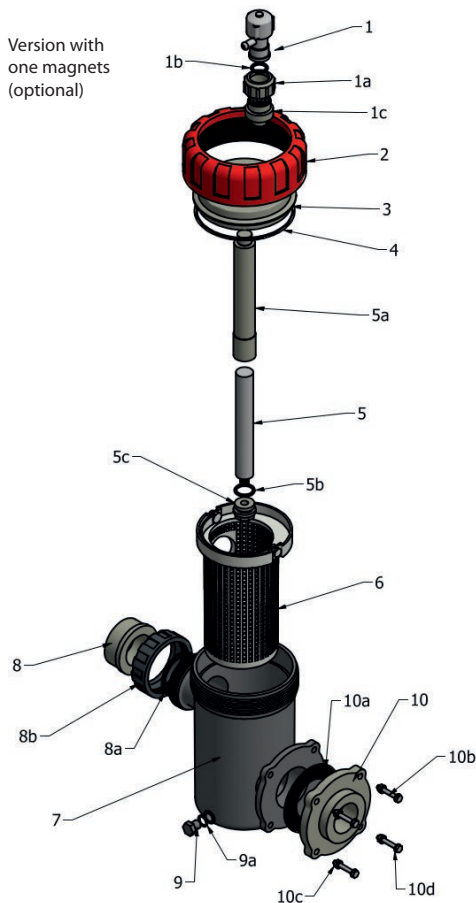


## PSB FLOW&LOSS CURVE



-PSB39 -PSB75

## EXPLODED VIEW



N°	Item
1	Vent Valve
1a	Vent Valve Nut
1b	Vent Valve O-Ring
1C	Vent Valve Housing
2	Lid Nut
3	Lid
4	Lid O-Ring
5	Magnet
5a	Magnet Housing
5b	Magnet O-Ring
5c	Magnet Cap
6	Basket
7	Filter Housing
8	Socket Union
8a	Socket Union O-Ring
8b	Socket Union Nut
9	Drain
9a	Drain O-Ring
10	Counter-Flange
10a	Counter-Flange Separator Ring
10b	Counter-Flange Screws
10c	Counter-Flange Cubes
10d	Counter-Flange Washers

Version with three magnets (optional)



Product Range: PUMP: Magnetic Drive, Horizontal, Mechanical Seal, Vertical, Diaphragm, Drum, - FILTERING SYSTEMS – PRECIOUS METAL RECOVERY SYSTEMS – DEPURATION – FILTERS: String Wound Cartridges, Melt Blown, Filtering Disks, Bag Filters, Plated Filter Cartridges, Absolute – ACCESSORIES: Gratings, Venturi Eductor – CUSTOMIZED COMPONENTS.

LAFONTE.EU may modify data any time, without notice, in order to get product enhancement