



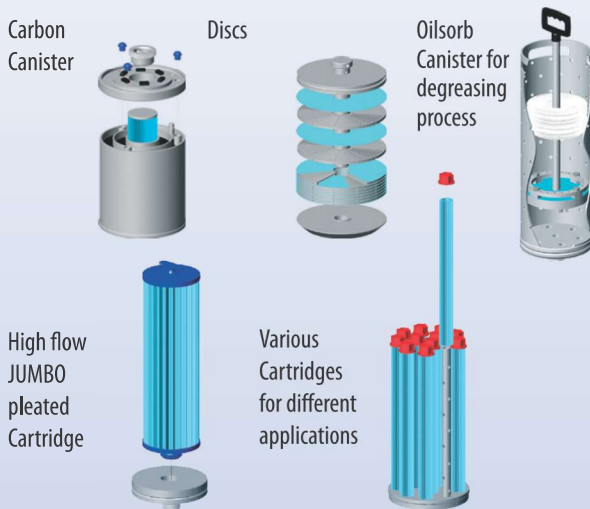
**ADVANTAGES**

- Ease of operation
- Long life
- Ability to Interchange with several different filtration systems in the same housing
- Ability to change between EVOLUTE magnetic drive and mechanical seal pump
- Three years warranty on filter housing

**FEATURES**

- Polypropylene machine solid monobloc filter housing
- Tilt lid with swing bolts closure system
- Magnetic drive or mechanical seal pump
- Solid Polypropylene base with discharge pipes and brackets on three side of the base
- Pre coat tank version
- Discs version, filter papers: D256/50 mm
- Filter housing improved distribution flow
- Tmax exercise 70°C with 3 Bar pressure

**FILTRATION TYPE**

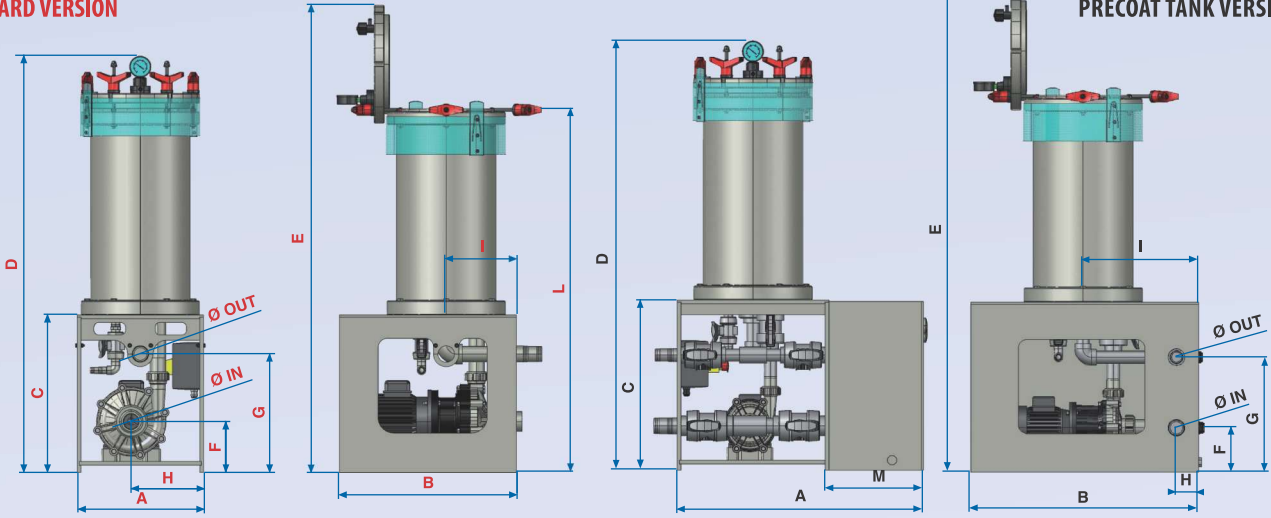


| Series | Filter Chamber                |                       |                       |                |               | Filter Element                        |   | Pump                    |                    |          | OPTIONAL  |
|--------|-------------------------------|-----------------------|-----------------------|----------------|---------------|---------------------------------------|---|-------------------------|--------------------|----------|---|
|        | Discs<br>Dxn°<br>(m²/l)*      | Cartridges<br>n° x l" | JUMBO<br>DxH"<br>(m²) | Oilsorb<br>(l) | Carbon<br>(l) | Discs                                 | Cartridges  | Magnetic<br>Drive       | Mechanical<br>Seal | Material |   |
| MIX    | 12D1<br>250x33<br>(1,5/7,2)   | 12C1<br>12x10         | 12J1<br>250x10<br>(4) |                |               |                                       | — = DOE D63<br>M = DOE<br>with spring<br>closure system<br>P = DOE D 70<br>A = SOE 222<br>B = SOE 226 | EVT7<br>EVT12           | EVM8<br>EVM12      |          | A = Suction Valve<br>M = Discharge<br>B = By pass pump/filter<br>C = Carbon treatment valves group<br>G = Pressure Guage<br>V = Valve between pump and filter<br>T = Prea coat tank<br>W = Wheels<br>I = Interlock sensor placed on<br>splashproof lid ring |
|        | 12D2<br>250x66<br>(3/14,4)    | 12C2<br>12x20         | 12J2<br>250x20<br>(8) | 12 O2<br>(20)  | 12A2<br>(20)  | — = carta<br>P = Meraklon<br>T = PTFE | EVT12<br>EVT15<br>EVT20   | EVM12<br>EVM15<br>EVM20 | — = PP<br>F = PVDF |          |   |
|        | 12D3<br>250x100<br>(4,5/21,6) | 12C3<br>12x30         |                       |                |               |                                       | EVT15<br>EVT20<br>EVT25   | EVM15<br>EVM20          |                    |          |   |
| MIX    |                               | 12 O2                 |                       |                |               |                                       |   |                         | EVM15              |          | GR  |

\* m² = Surface area / l = Sediment Volume

**STANDARD VERSION**

**PRECOAT TANK VERSION**



| SERIES | HOUSING                              | PUMP           | OVERALL DIMENSION |          |            |            |            |              |              |     |            |           |              |              |     |
|--------|--------------------------------------|----------------|-------------------|----------|------------|------------|------------|--------------|--------------|-----|------------|-----------|--------------|--------------|-----|
|        |                                      |                | D in              | D out    | A          | B          | C          | D            | E            | F   | G          | H         | I            | L            | M   |
| MIX    | 12D1 12C1<br>12P1                    | EVT7           | 32                | 32       | 395<br>720 | 500<br>560 | 350<br>420 | 895<br>965   | 1060<br>1130 | 117 | 290<br>300 | 158<br>65 | 207<br>270   | 785<br>805   | 300 |
|        |                                      | EVM8           | 40<br>50          | 40<br>50 | 395<br>770 | 560<br>680 | 450<br>500 | 995<br>1045  | 1290<br>1340 | 145 | 315<br>355 | 173<br>90 | 220<br>325   | 835<br>885   |     |
|        |                                      | EVT12<br>EVM12 | 50                | 50       |            |            |            |              |              |     |            |           |              |              |     |
|        | 12D2<br>12C2<br>12P2<br>12O2<br>12A2 | EVT12<br>EVM12 | 50                | 40       | 395<br>770 | 560<br>680 | 450<br>500 | 1250<br>1300 | 1545<br>1595 | 145 | 315<br>355 | 173<br>90 | 220<br>325   | 1090<br>1140 | 300 |
|        |                                      | EVT15<br>EVM15 |                   |          |            |            |            |              |              |     |            |           |              |              |     |
|        |                                      | EVT20<br>EVM20 | 50                | 50       |            |            |            |              |              |     |            |           |              |              |     |
|        | 12D3 12C3                            | EVT15<br>EVM15 | 50                | 40       | 395<br>770 | 560<br>680 | 450<br>500 | 1570<br>1620 | 1710<br>1770 | 145 | 375<br>365 | 173<br>70 | 220<br>325   | 1380<br>1430 | 300 |
|        |                                      | EVT20<br>EVM20 |                   |          |            |            |            |              |              |     |            |           |              |              |     |
|        |                                      | EVT25<br>EVT30 | 63                | 63       | 395<br>860 | 590<br>750 | 500<br>570 | 1620<br>1690 | 1760<br>1830 | 162 | 365        | 198<br>90 | 1430<br>1500 |              |     |

**50 Hz**

**60 Hz**

| Rpm 2800       | EVT7    | EVM8    | EVT12<br>EVM12 | EVT15<br>EVM15 | EVT20<br>EVM20 | EVT25<br>EVM25 | EVT30<br>EVM30 |
|----------------|---------|---------|----------------|----------------|----------------|----------------|----------------|
| KW             | 0,25    | 0,37    | 0,55           | 0,7            | 1,1            | 1,5            | 2,2            |
| A*<br>230/400V | 1,2/0,7 | 1,8/1,0 | 2,3/1,25       | 3,13/1,7       | 4,9/2,5        | 6,5/3,8        | 8,7/5,0        |

| Rpm 3450       | EVT7<br>EVM8 | EVT12<br>EVM12 | EVT15<br>EVM15 | EVT20<br>EVM20 | EVT25   | EVT30    |
|----------------|--------------|----------------|----------------|----------------|---------|----------|
| KW             | 0,37         | 0,55           | 0,7            | 1,1            | 1,5     | 2,2      |
| A*<br>220/380V | 2,6/1,5      | 2,9/1,7        | 3,9/2,2        | 6,0/3,5        | 8,0/4,6 | 10,2/6,0 |

\* Values could change according with type of used motor

\* Values could change according with type of used motor

