



FEATURES

- PP and PVDF solid construction
- T max exercise: PP 75°C- PVDF 98°C
- Sleeved SS316 or Titanium shaft
- Connections: Socket union
- Gaskets: EPDM for PP, FPM for PVDF
- Pump body with SS or Ti bolts Closure System.
- Single or Three phase electric motor with extended shaft
- Optional PP Drip Proof Motor Fan Cover

APPLICATIONS

- Acid and alkaline solutions with minimal suspended solids
- Electroplating Industry
- PCB Industry
- Chemical Industry

ADVANTAGES

- Dry run capability
- Excellent chemical resistance due to absence of filling materials
- IN and OUT tank installation

		EYP03B	EYP08B	EYP10B	EYP15B	EYP20B	EASYP25B
Electric motor	Type	IE1			IE3		
Rpm	50/60 Hz	2900/3450					
Power	Kw/Hp	0,15/0,18	0,37/0,5	0,7/1	1,1/1,5	1,5/2	2,2/3
I* 230/400V 50 Hz	A	1/0,60	2,1/1,2	3,13/1,8	4,2/2,4	5,4/3,1	7,8/4,5
I* 266/460V 60 Hz	A	1,05/0,63	2,19/1,25	3,2/1,9	4,3/2,5	5,5/3,2	8,1/4,7
Qmax 50 Hz	l/min	45	85	150	260	340	420
Hmax 50 Hz	m	4,5	9	10	15	21	23
Qmax 60 Hz	l/min	50	90	170	280	360	450
Hmax 60 Hz	m	6	13	14	20	23	25
Tmax PP	°C	75					
Tmax PVDF	°C	98					
IN/OUT DN	mm	20/16	32/20	40/25	40/32	50/40	50/40
weight PP*	Kg	5,5	6,5	13	19,5	31	33
weight PVDF*	Kg	7	10	15	22	35	37

*Value could change according to motor brand

EASYP-BP



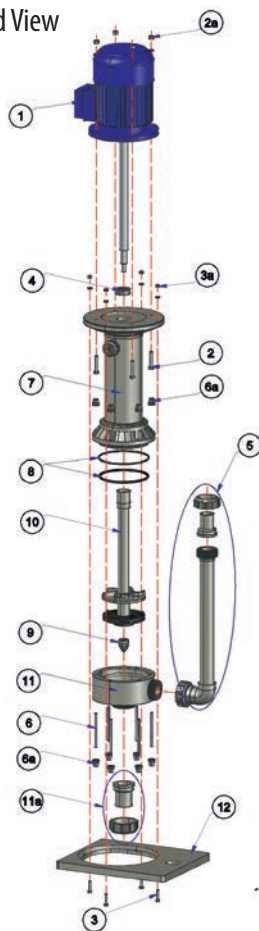
EASYP-BV



PUMP IDENTIFICATION

Model	Pump body	Shaft	Impeller type	Oring	Connections	Motor/Rpm	Optionals
EYP03B EYP08B EYP10B EYP15B EYP20B EYP25B	P = PP V = PVDF	X=AISI 316 T = Titanium	O = Standard 1 = Trimmed for high density 2 = High temp. standard 3 = High temp. Trimmed for high density	E = EPDM V = Viton F = FEP	B = Socket union T = Threaded	A = 50Hz/2900 B = 60Hz/3400	S = Strainer C = Drip proof motor lid
EYP20B	P	X	O	E	T	A	C

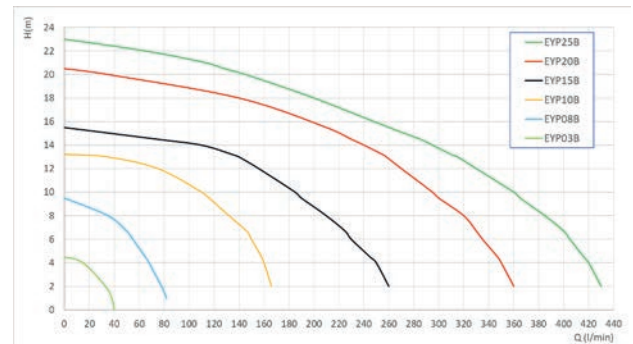
Exploded View



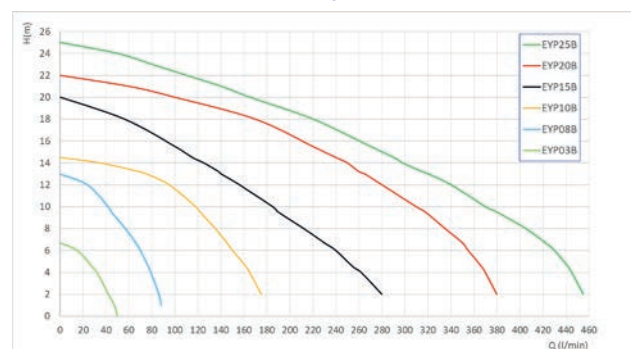
EXPLODED VIEW EASY PUMP

Part. N.	Description
1	Motor
2	Motor bolt
2a	Motor nut
3	Pump bolt
3a	Pump nut
4	MIMM sealing
5	Outlet pipe
6	Pump housing scerw
6a	Pump housing PP nut
7	Pump column
8	Pump housing O-ring - Set
9	Ogive
10	Impeller shaft
11	Pump housing
11a	Suction attack
12	Pump flange

Performance Curve 50 Hz - Rpm 2800

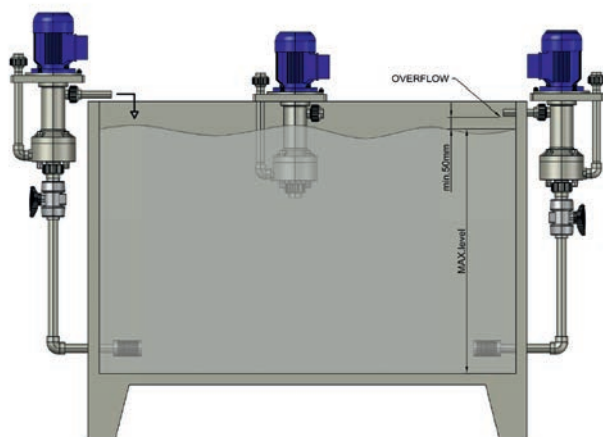


Performance Curve 60 Hz - Rpm 3400

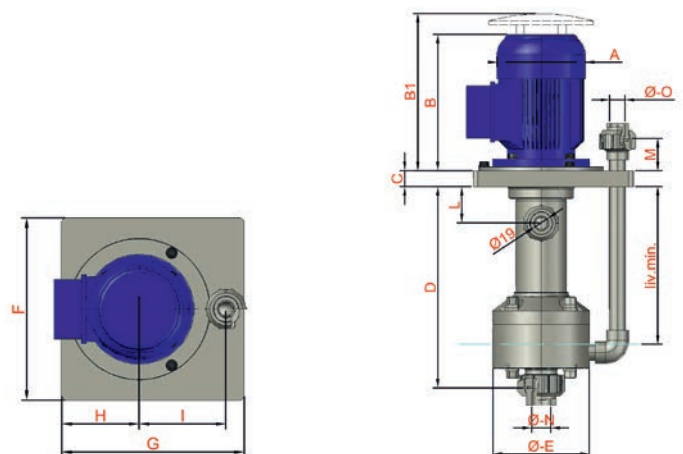


Curves referred to water=20°C

Installation



Dimensional drawing



Pump series EASYP-B

Mod	A	B	B1	C	D	Φ E	F	G	H	I	L	M	Φ - N	Φ - O	Liv. Min
EYP03B	110	170	195	20	251	120	200	200	85	95	45	40	25	20	195
EYP08B	120	193	218	20	330	140	220	310	110	108	45	50	40	25	275
EYP10B	135	225	250	20	411	160	250	320	123	130	50	50	50	32	330
EYP15B	175	255	280	20	430	180	290	350	145	142	50	50	50	40	365
EYP20B	175	325	350	30	420	200	320	450	160	220	65	50	63	50	345
EYP25B	175	325	350	30	420	200	320	450	160	220	65	50	63	50	345

LAFONTE.EU may modify data any time, without notice, in order to get product enhancement