



ADVANTAGES

- Easy Maintenance Operations
- Energy saving

FEATURES

- External Mechanical Seal available with different material combinations
- Tmax exercise: PP 75°C - PVDF 95°C
- Connections:
 - socket union for rigid piping connection with PP, PVC, PVDF union ends choice
 - hose barb for hose connetctions
 - flanged

APPLICATION FIELDS

- Acid and alkaline soutsions with minimal solid suspended particles
- Electroplating, Chemical, PCB industry

SPECIFICATIONS

	Flow Rate max (l/min.)	Head max (m)	Motor (kw)	IN/OUT D (mm)	T max (°C)	Weight* (kg)
50 Hz	485	23	2,20	63 x 50	PP: 75	PP: 22,00
60 Hz	485	23	2,20	63 x 50	PVDF: 95	PVDF: 25,00

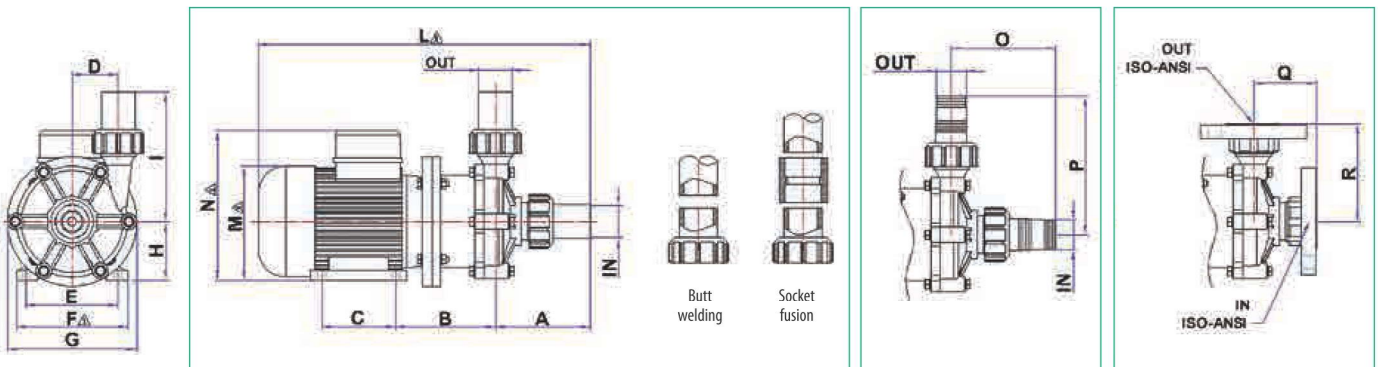
* It depends on the motor



CONNECTION TYPE B

CONNECTION TYPE P

CONNECTION TYPE F



Dimensions:

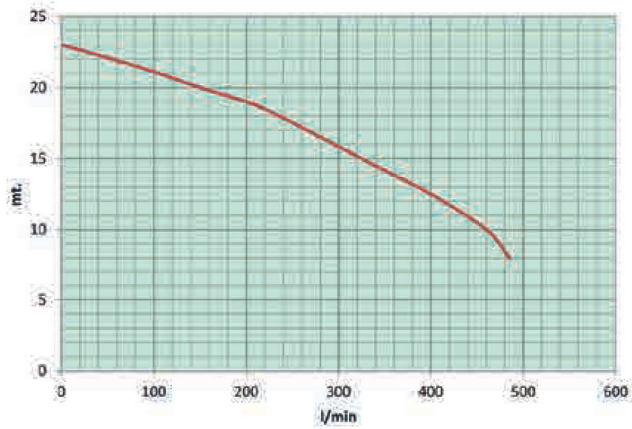
Mod.	A	B	C	D	E	F [△]	G	H	I	L [△]	M [△]	N [△]	O	P	Q	R	IN	OUT
EVM30	144	226	125	84	140	170	246	90	201	605	176	220	175,0	246	86	160	63	50

[△] It changes according with motor supplier

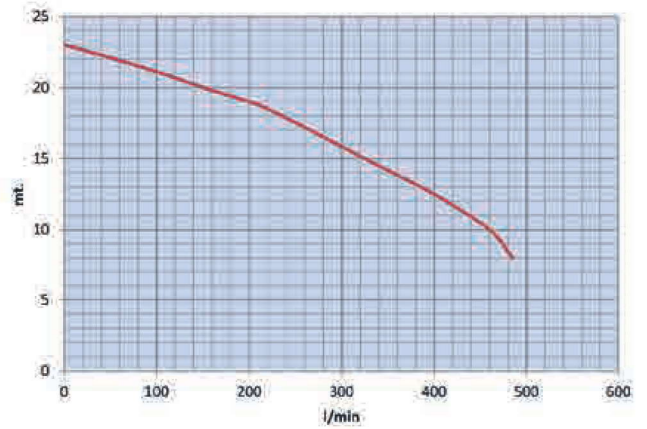
PUMP IDENTIFICATION

Model	Pump body	Shaft	Mechanical seal Rotating - Static	O-Ring	Connections	Motor / rpm
EVM 30	P = PP F = PVDF	X = AISI 316 T = TITANIO H = HASTELLOI	2 = PTFE CERAMIC 3 = CARBON - CERAMIC 4 = SIC - SIC 5 = CARBON - SIC 6 = SIC - CERAMIC	E = EPDM V = VITON	B = Socket union F = Flanged P = Hosebarb	A = 50 Hz / 2800 B = 60 Hz / 3400
EVM 30	P	X	3	E	B	A

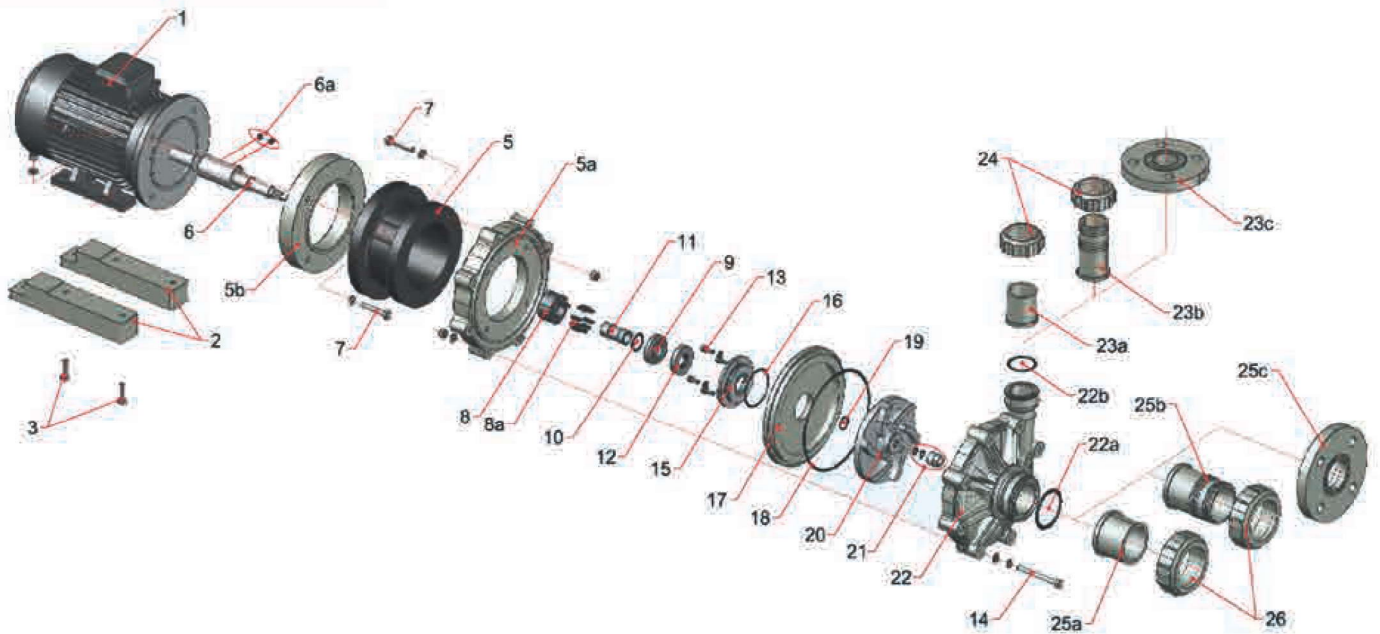
Performance Curve 50 Hz - Rpm 2800



Performance Curve 60 Hz - Rpm 3400



Curves refer to water T = 20°C



- | | | |
|----------------------------|----------------------------------|------------------------|
| 1 Motor | 10 O-Ring | 18 Pump housing O-Ring |
| 2 Motor Base | 11 Shaft sleeve | 19 Impeller O-Ring |
| 5 Bracket | 12 Static ring | 20 Impeller |
| 5a Flange Bracket | 17 Pump housing flange | 21 Ogive nut |
| 6 Shaft | 13 Mech. seal flange screw | 22 Pump body |
| 6a Grub screw | 14 Pump housing screw | 23 Discharge manifold |
| 8 Mechanical seal body | 15 Mechanical seal flange | 24 Discharge gear |
| 8a Mechanical seal springs | 16 Mechanical seal flange O-Ring | 25 Suction manifold |
| 9 Rotating ring | 17 Pump housing flange | 26 Suction gear |

LAFONTE.EU may modify data any time, without notice, in order to get product enhancement