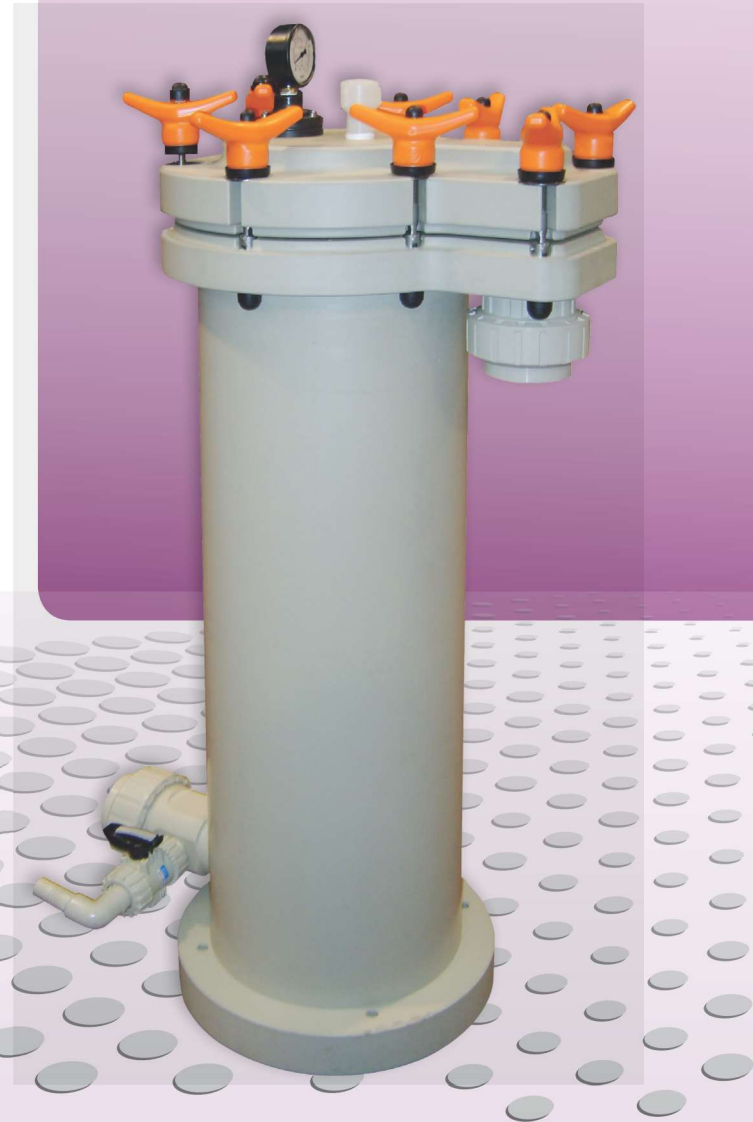
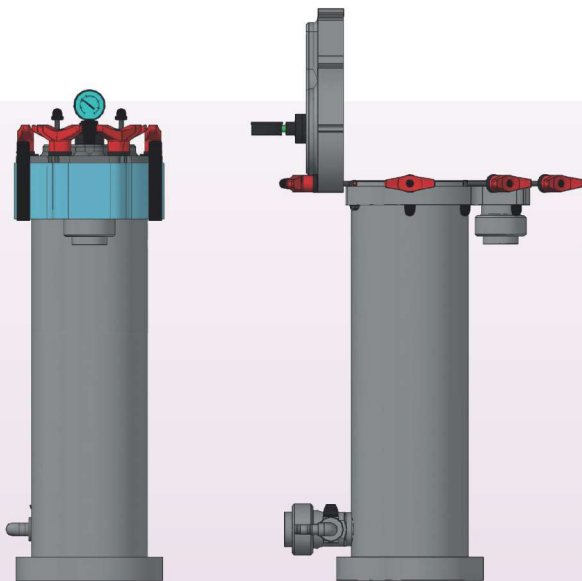


ADVANTAGES

- Rugged construction
- Inert at chemicals
- Interchangeability bag filters and cartridges High Flow WH
- 3 years warranty

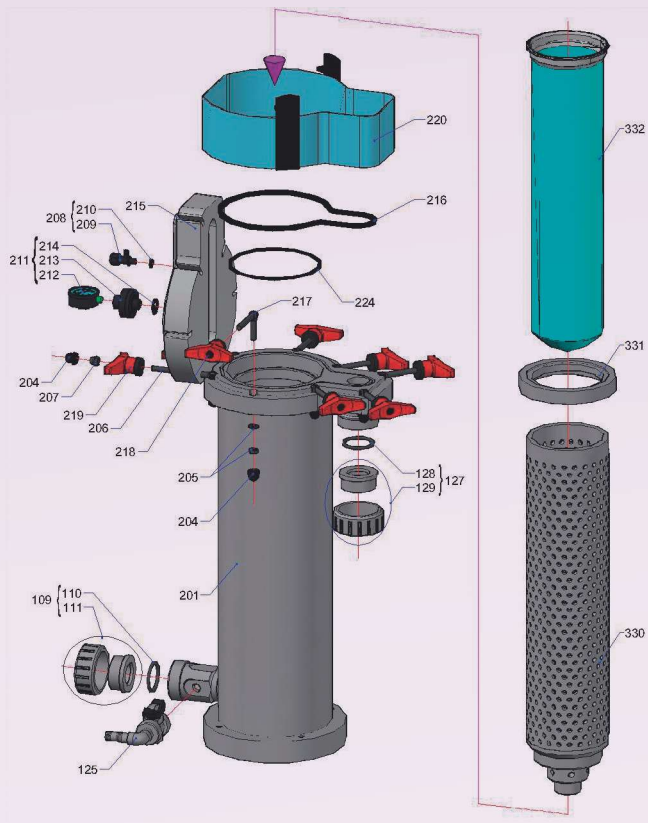
FEATURES

- PP solid monoblocc body
- PP and PVDF versions
- Swing bolts closure system with swing bolts
- Til lid
- Lid inlet
- Union connection
- SIZE 1-2-4 bags availability
- Tmax exercise PP 85°C-PVDF 100°C
- Pmax exercise: 6 Bar @ 20°C

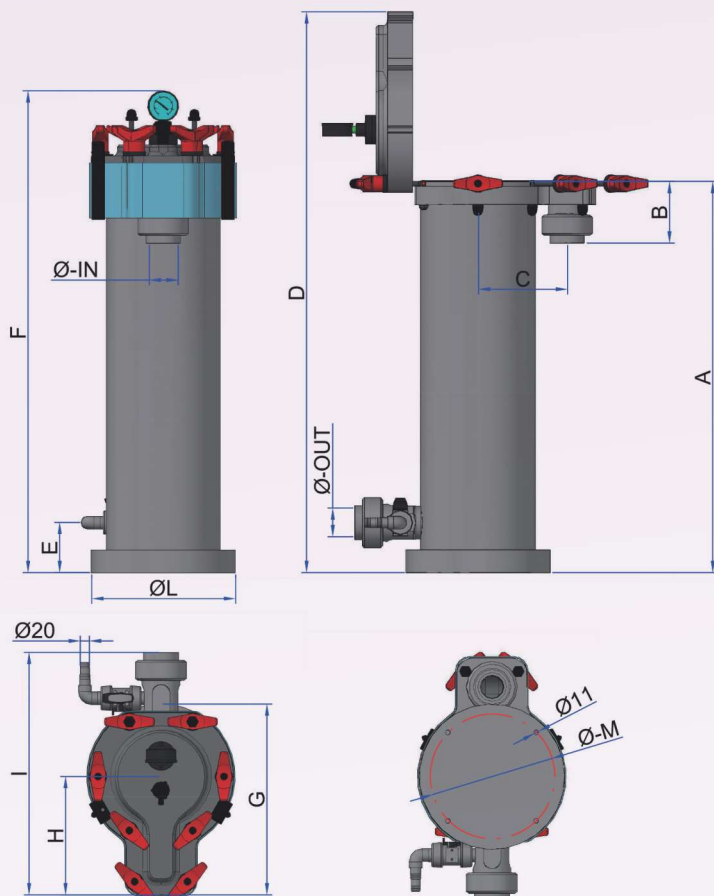


TOP VERSION

SERIES	MATERIAL	INLET	SIZE	IN/OUT Ø mm	ATTACKS TYPE	OPTIONAL
CFB	_ = PP V = PVDF	T=TOP	1040 = SIZE 4	25	B= SOCKET UNIONS	G= Pressure gauge R= Splashproof lid Ring I= lid Interlock safety sensor
			1840H = SIZE 1	32		
				40		
			1880H = SIZE 2	50		
CFB	T		1880H	63	B	GR
				63		



DESCRIPTION			
109	Discharge assembly	211	Pressure gauge assembly
110	O-Ring	212	Pressure gauge
111	Discharge	213	Guard
125	Drain valve	214	O-Ring
127	Inlet filter-housing assembly	215	Lid
128	O-Ring	216	Lid gasket
129	Connecting fitting	217	Short swing bolts
201	Filter body	218	Knob close two lobes
204	PP nut cap	219	Knob open two lobes
205	Nut & washer	220	Splash proof lid ring
206	Long swing bolts	224	O-ring cantering ring
207	Blind nut	330	Basket filter bag
208	Vent valve assembly	331	Centering ring filter bag
209	Vent valve	332	Filter bag
210	O-Ring		



BAG FILTER HOUSING			
Type	1040	1840 H	1880 H
A	415	530	860
B	83	136	136
C	115	195	195
D	630	917	1231
E	70	110	110
F	570	730	1060
G	262	415	415
H	152	257	257
I	360	530	530
Ø L	220	315	315
Ø M	186	271	271
Ø IN	25-32	50-63	50-63
Ø OUT	25-32	50-63	50-63

PVDF version: dimension could change. Require drawing at our technical office