

### CARATTERISTICHE

- Corpo filtro monoblocco
- Versione Standard: PP (Tmax 75°C) o PVDF (Tmax 95°C)
- Versione H: PP (Tmax 90°C)
- Sistema chiusura rapida coperchio con tiranti a snodo
- Coperchio ribaltabile
- Modelli disponibili per sacchi SIZE 1-2-4

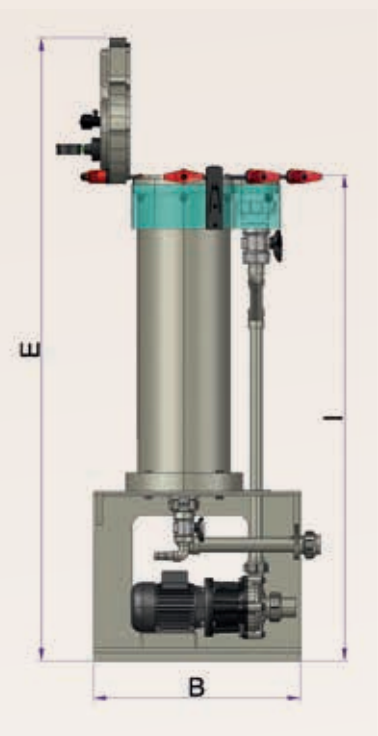
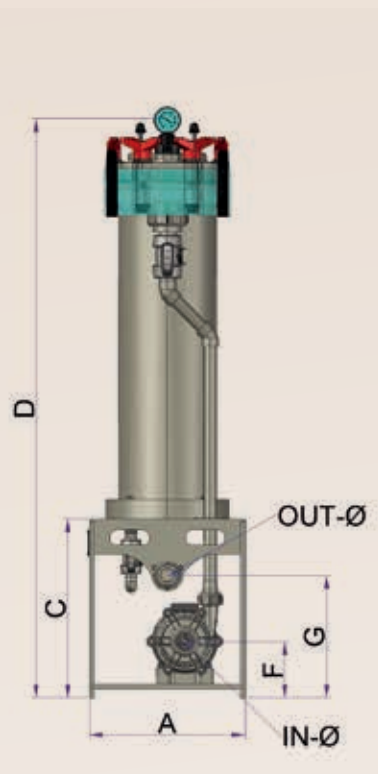
### VANTAGGI

- Costruzione Robusta
- Inerte agli agenti chimici
- Intercambiabilità sacchi filtro cartucce High-Flow WH
- Intercambiabilità Pompe Trascinamento Magnetico / Tenuta Meccanica (serie Evolute)
- Garanzia 3 anni sulle camere filtranti



Mod.	Filter chamber Standard version		Bag		Pump			OPTIONALS
	Material	Size	type	Dimension Dx H mm	Magnetic pump	Mechanical seal pump	material	
BFP	_ = PP	1040	SIZE 4	100x400	MPC042 MPP051 MPP101	EVM8 EVM12 EVM 15	V= PVDF _ = PP	A= Suction valve M= Discharge valve B=By pass pump-filter G= Pressure gauge V= valve between pump and fitler W= wheels R= splahproof lid ring I= intelock lid sensor
		1840	SIZE 1	180x410	EVT7 EVT12 EVT20			
	V= PVDF	1880	SIZE 2	180x800	SDM 2X8 SDM 2X10			
Mod.	Filter chamber H version		Bag		Pump			OPTIONALS
	Material	Size	type	Dimension Dx H mm	Magnetic pump	Mechanical seal pump	material	
BFP	_ = PP	1840H	SIZE 4	100x400	MPC042 MPP051 MPP101	EVM8 EVM12 EVM 15	V= PVDF _ = PP	A= Suction valve M= Discharge valve B=By pass pump-filter G= Pressure gauge V= valve between pump and fitler W= wheels R= splahproof lid ring I= intelock lid sensor
		1880H	SIZE 1	180x410	EVT7 EVT12 EVT20			
	1880H	SIZE 2	180x800	SDM 2X8 SDM 2X10				
BFP			1880H			EVM15		GR

Serie	Camera	Pompa	DIMENSIONI D'INGOMBRO									
			Ø in	Ø out	A	B	C	D	E	F	G	I
BFP BFP_V	1040	MPC042	32	32	300	400	400	970	1100	105	303	815
		MPP051								112		
		MPP101								144		
		EVT7	50	32	340	460	400	970	1100	144	303	815
		EVT12								144		
		EVT15								144		
		EVM8	50	32	340	460	400	970	1100	144	303	815
		EVM12								144		
		EVM15								144		
	1840	MPC042	32	32	300	400	400	1100	1250	105	303	930
		MPP051								112		
		MPP101								144		
		EVT7	50	40	340	460	400	1100	1250	144	303	930
		EVT12								144		
		EVT15								144		
		EVT20	50	40	340	460	400	1100	1250	144	303	930
		EVM8								144		
		EVM12								144		
	EVM15	144	50	40	340	460	400	1100	1250	144	303	930
	SDM2x8	126										
	SDM2,5x10	144										
	1880	MPC042	32	32	300	400	400	1430	1580	105	303	1260
		MPP051								112		
		MPP101								144		
EVT7		50	40	340	460	400	1430	1580	144	303	1260	
EVT12									144			
EVT15									144			
EVT20		50	40	340	460	400	1430	1580	144	303	1260	
EVM8									144			
EVM12									144			
EVM15	144	50	40	340	460	400	1430	1580	144	303	1260	
SDM2x8	126											
SDM2,5x10	144											
BFP	1840H	MPC042	32	32	320	420	400	1150	1305	105	303	930
		MPP051								112		
		MPP101								144		
		EVT7	50	40	400	560	460	1210	1365	144	315	990
		EVT12								144		
		EVT15								144		
		EVT20	50	40	400	560	460	1210	1365	144	315	990
		EVM8								144		
		EVM12								144		
	EVM15	144	50	40	400	560	460	1210	1365	144	315	990
	SDM2x8	126										
	SDM2,5x10	144										
	1880H	MPC042	32	32	320	420	400	1480	1635	105	303	1260
		MPP051								112		
		MPP101								144		
		EVT7	50	40	400	560	460	1540	1695	144	315	1320
		EVT12								144		
		EVT15								144		
		EVT20	50	40	400	560	460	1540	1695	144	315	1320
		EVM8								144		
		EVM12								144		
	EVM15	144	50	40	400	560	460	1540	1695	144	315	1320
	SDM2x8	126										
	SDM2,5x10	144										



\*Le dimensioni possono subire variazioni senza obbligo di preavviso.